

STANDARD MODELS

Model	Part Number	Frequency Range	Output Power P_N min dBm	Gain min / typ dB	Noise Figure dB	Dimensions (L, W, H) mm	Weight kg
BLMA 2640-3A	10006912	26.5 ... 40 GHz	+10	30 / 33 ±3	4	161 / 93 / 65	1



Dimensions without connectors
Technical drawing(s) on next page(s)

STANDARD SPECIFICATIONS

Input Impedance:	50 Ohm nominal
Output Impedance:	50 Ohm nominal
Load VSWR:	<2.5:1 typ.
Spurious:	-60 dBc min. (excluding harmonics)
Harmonics:	-20 dBc
Class of Operation:	A-linear

GENERAL

RF Input:	<18 GHz	precision N-m
	>18 GHz	horn antenna
RF Output:	<18 GHz	precision N-f
	>18 GHz	2.92 mm-f
Mains Supply:	200 ... 240 V AC, 47 ... 63 Hz	
Power Consumption:	<10 W	
Conformity:	CE (EN 55022, CISPR 22)	
Ambient Temperature:	0 ... +45 °C	
Storage Temperature:	-25 ... 85 °C	
Relative Humidity:	up to 95% (non-condensing)	
Operating Altitude:	up to 2000 m above sea level	
Vibration and Shock:	MIL-STD-810 G	

REMARKS

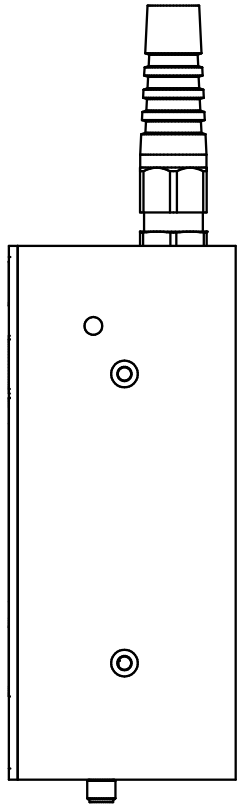
-1A: CISPR, FCC, MIL, EN	for civil applications
-A: CISPR, FCC, MIL, EN	for basic laboratory measurements (economic)
-M: MIL-461, MIL-285	for MIL-compliant measurements

K) Battery Powered

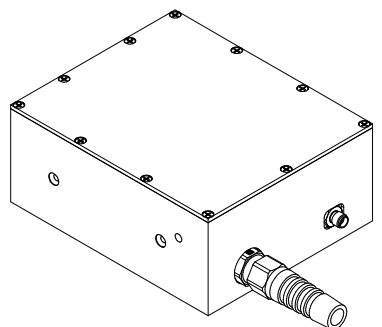
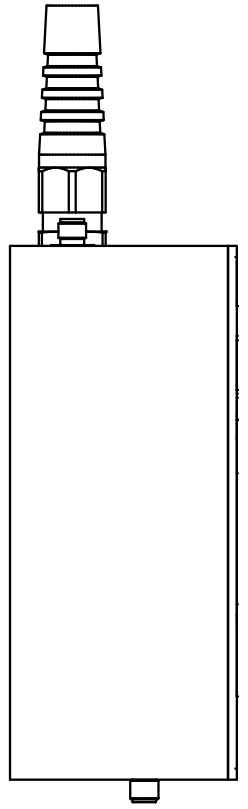
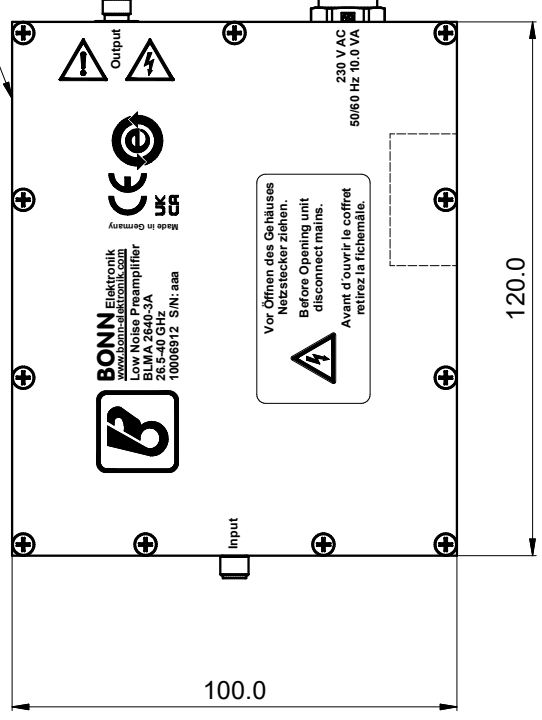
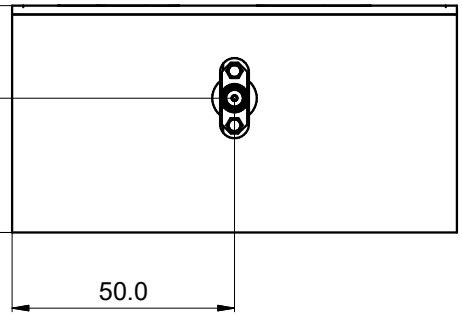
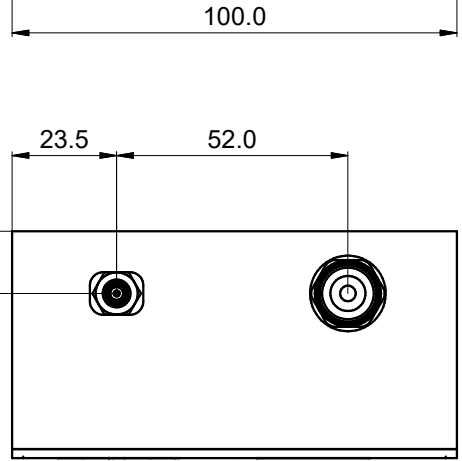
This document is the property of Bonn Elektronik GmbH.
 Reproduction and release without express permission is strictly prohibited.
 We reserve the right to introduce modifications without prior notification, where they serve
 technical progress. Unless otherwise indicated all dimensions millimeters.

Dieses Dokument ist Eigentum der Firma Bonn Elektronik GmbH.
 Vervielfältigung und Veröffentlichung ohne ausdrückliche Genehmigung ist untersagt. Änderungen im
 Sinne des technischen Fortschritts können ohne Vorankündigungen vorgenommen werden. Wenn
 nichts anders angegeben alle Maße Millimeter.

A
 B
 C
 D



10006912
 S/N: aaa



Product Information		Entwurf 15.09.2022 Bonn
10006912		Zeichnung 15.09.2022 Gharib
Low Noise Preampifier		Prüfung
BLMA 2640-3A		Blatt 1-1
		Freigabe 16.05.2025 Bonn