

STANDARD MODELS

Model	Part Number	Frequency Range	Output Power P_N min dBm	Gain min / typ dB	Noise Figure dB	Dimensions (L, W, H) mm	Weight kg
BLMA 1826-5A	10006825	18 ... 26.5 GHz	+10	50 / 52 ±2	3	144 / 93 / 65	1



Dimensions without connectors
Technical drawing(s) on next page(s)

STANDARD SPECIFICATIONS

Input Impedance:	50 Ohm nominal
Output Impedance:	50 Ohm nominal
Load VSWR:	<2.5:1 typ.
Spurious:	-60 dBc min. (excluding harmonics)
Harmonics:	-20 dBc
Class of Operation:	A-linear

GENERAL

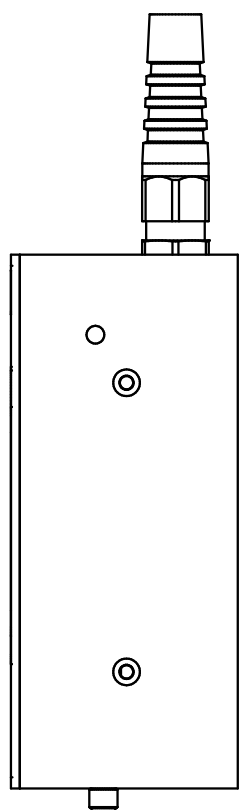
RF Input:	<18 GHz	precision N-m
	>18 GHz	horn antenna
RF Output:	<18 GHz	precision N-f
	>18 GHz	2.92 mm-f
Mains Supply:	220 ... 240 V AC, 47 ... 63 Hz	
Power Consumption:	<10 W	
Conformity:	CE (EN 55022, CISPR 22)	
Ambient Temperature:	0 ... +45 °C	
Storage Temperature:	-25 ... 85 °C	
Relative Humidity:	up to 95% (non-condensing)	
Operating Altitude:	up to 2000 m above sea level	
Vibration and Shock:	MIL-STD-810 G	

REMARKS

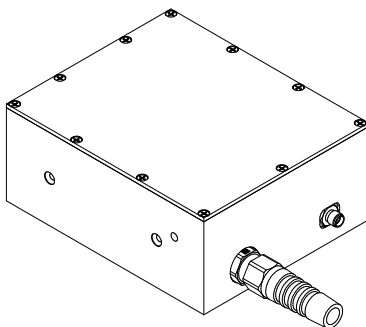
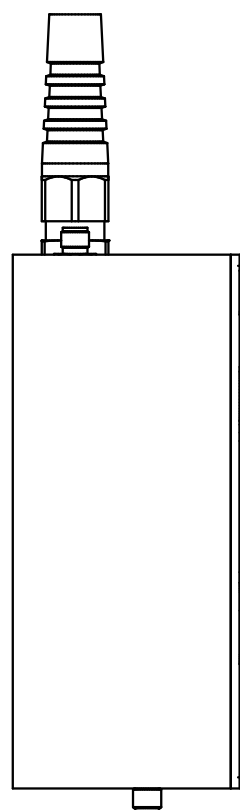
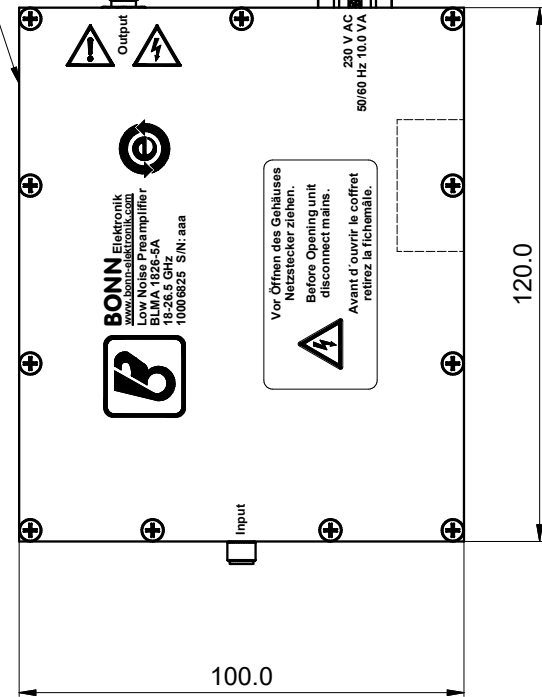
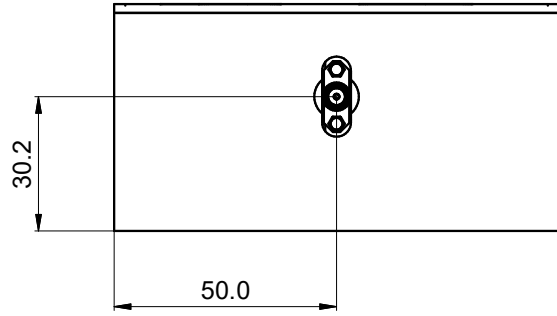
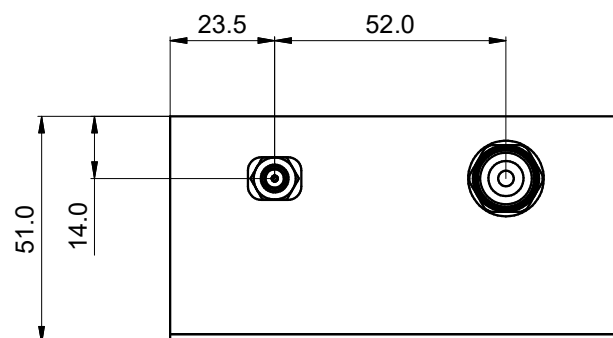
-1A: CISPR, FCC, MIL, EN	for civil applications
-A: CISPR, FCC, MIL, EN	for basic laboratory measurements (economic)
-M: MIL-461, MIL-285	for MIL-compliant measurements

K) Battery Powered

A
 B
 C
 D



10006825
 S/N: aaa



Product Information		Entwurf
10006825		14.09.2022 Bonn
Low Noise Preamplifier		Zeichnung
BLMA 1826-5A		14.09.2022 Gharib
BONN Elektronik 		Prüfung
Blatt		Freigabe
1-1		27.05.2025 Bonn