

BDC 80 ... 3000 MHz Directional Coupler

STANDARD MODELS

Model	Frequency Range X)	Power P _{min} W	Coupling X) dB	Insertion Loss max dB	Directivity min dB	VSWR max Main Line	Main Line Connector 1), 2)	Coupling Line Connector 3)
BDC 0830-60/200	80 ... 3000 MHz	200	60 ±2	0.25	20	1.25:1	N-f	N-f

S: Single directional coupler

Dimensions without connectors

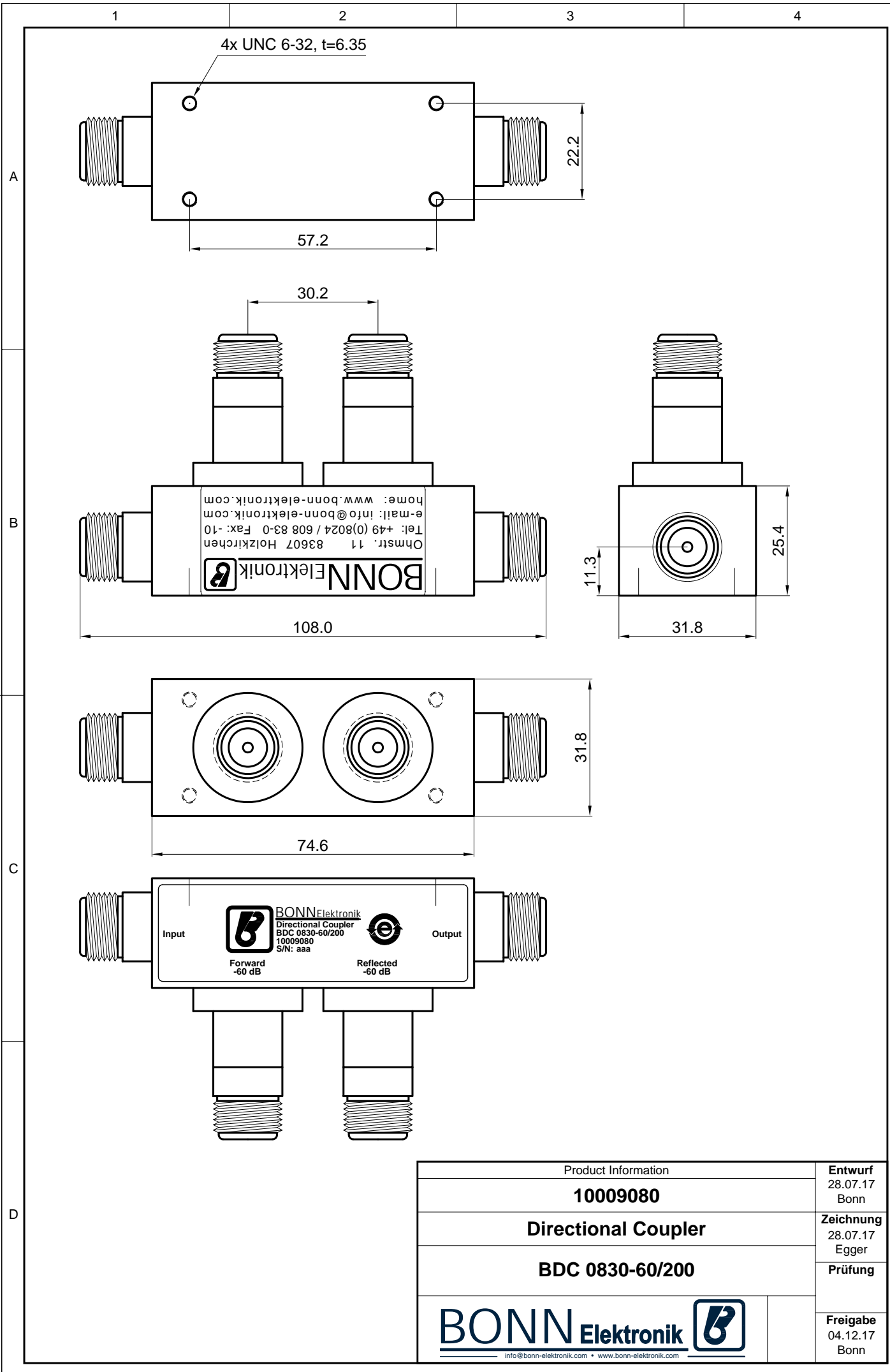
OPTIONS

1) male RF input connector

2) alternative main line connectors

3) N-f coupling connectors

X) custom frequency range and custom coupling attenuation upon request



Product Information		Entwurf 28.07.17 Bonn
10009080		Zeichnung 28.07.17 Egger
Directional Coupler		Prüfung
BDC 0830-60/200		Freigabe 04.12.17 Bonn
 info@bonn-elektronik.com • www.bonn-elektronik.com		