

BDC 1 ... 100 MHz Directional Coupler

STANDARD MODELS

Model	Frequency Range X)	Power P _{min} W	Coupling X) dB	Insertion Loss max dB	Directivity min dB	VSWR max Main Line	Main Line Connector 1), 2)	Coupling Line Connector 3)
BDC 0101-30/100	1 ... 100 MHz	100	30 ±1.5	0.5	20	1.25:1	N-f	SMA-f

S: Single directional coupler

Dimensions without connectors

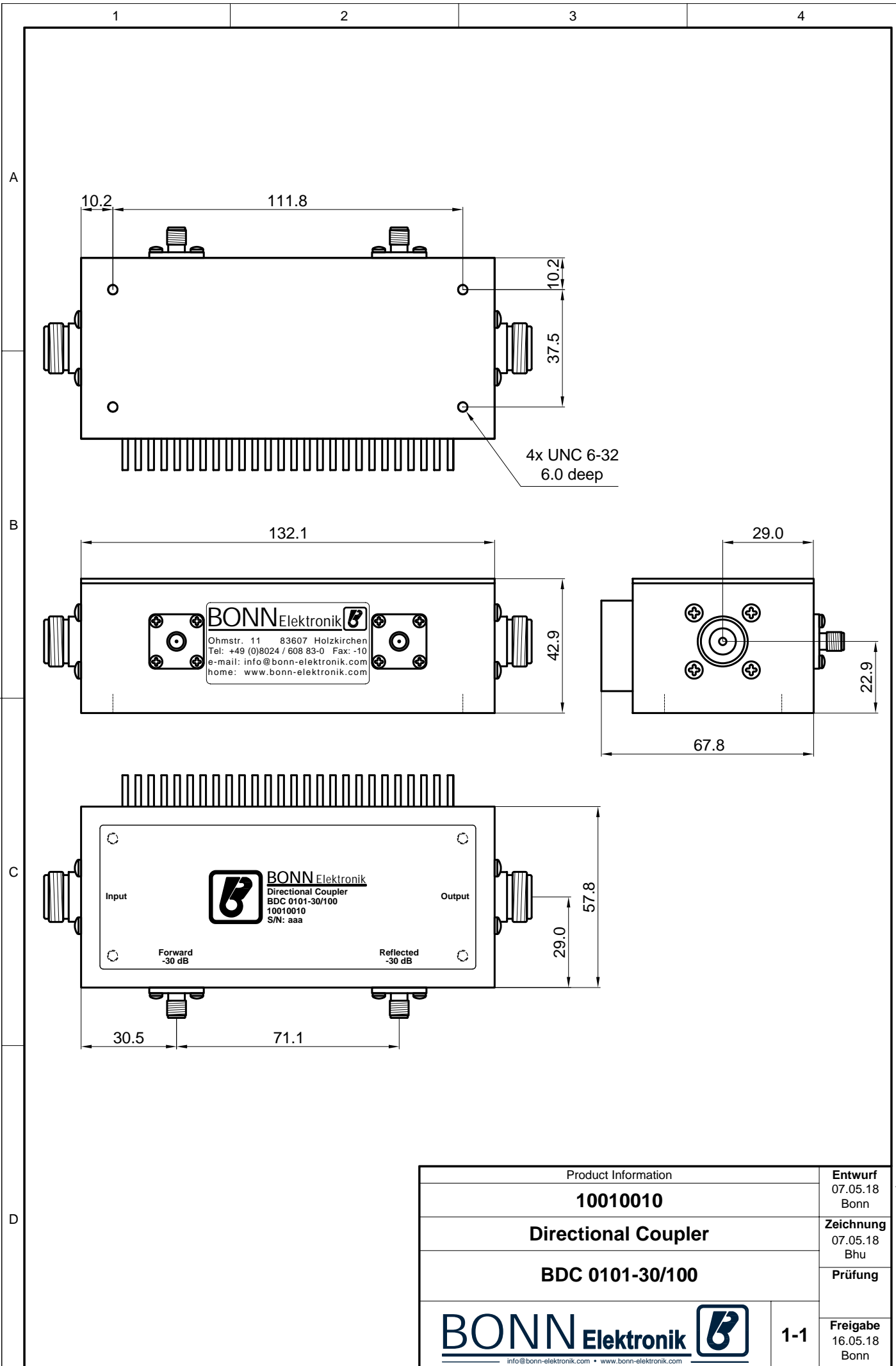
OPTIONS


1) male RF input connector

2) alternative main line connectors

3) N-f coupling connectors

X) custom frequency range and custom coupling attenuation upon request



Product Information		Entwurf 07.05.18 Bonn
10010010		Zeichnung 07.05.18 Bhu
Directional Coupler		Prüfung
BDC 0101-30/100		Freigabe 16.05.18 Bonn
 info@bonn-elektronik.com • www.bonn-elektronik.com		1-1