

BDC 6 ... 40 GHz Directional Coupler

STANDARD MODELS

Model	Frequency Range X)	Power P _{min} W	Coupling X) dB	Insertion Loss max dB	Directivity min dB	VSWR max Main Line	Main Line Connector 1), 2)	Coupling Line Connector 3)
BDC 6040-20/20S	6 ... 40 GHz	20	20 ±2	1.2	10	1.7:1	2,92 mm-f	2,92 mm-f

S: Single directional coupler

Dimensions without connectors

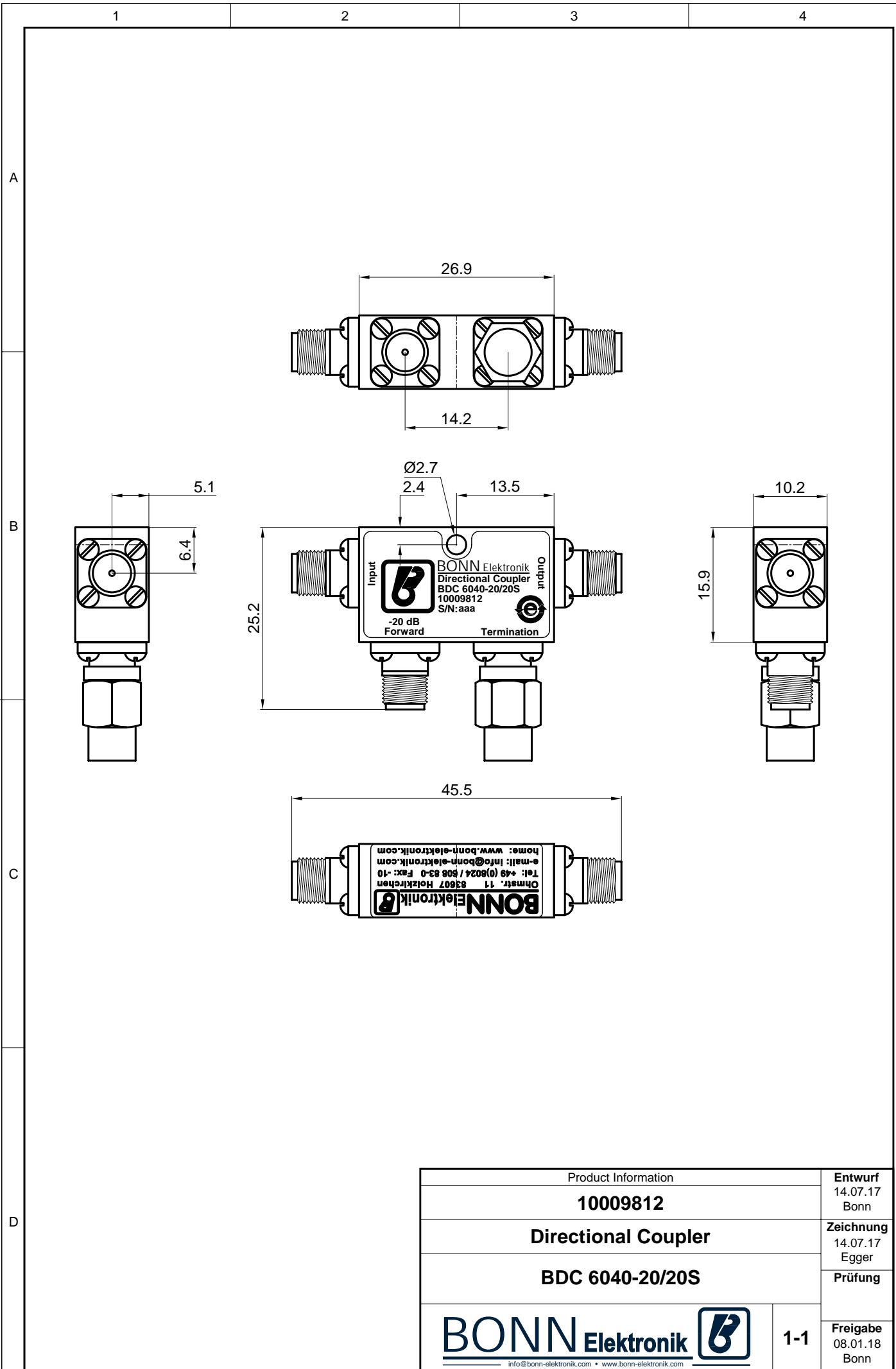
OPTIONS


1) male RF input connector

2) alternative main line connectors

3) N-f coupling connectors

X) custom frequency range and custom coupling attenuation upon request



Product Information		Entwurf 14.07.17 Bonn
10009812		Zeichnung 14.07.17 Egger
Directional Coupler		Prüfung
BDC 6040-20/20S		Freigabe 08.01.18 Bonn
BONN Elektronik 		1-1
info@bonn-elektronik.com • www.bonn-elektronik.com		