

STANDARD MODELS

Model	Frequency Range X)	Coupling X) dB	Power Pmin W	Insertion Loss max dB	Directivity min dB	VSWR max Main Line	Main Line Connector 1), 2)	Coupling Line Connector 3)
BDC 0210-63/25	20 ... 1000 MHz	63 ±3	25	0.2	20	1.3:1	N-f	SMA-f

S: Single directional coupler

OPTIONS

1) male RF input connector

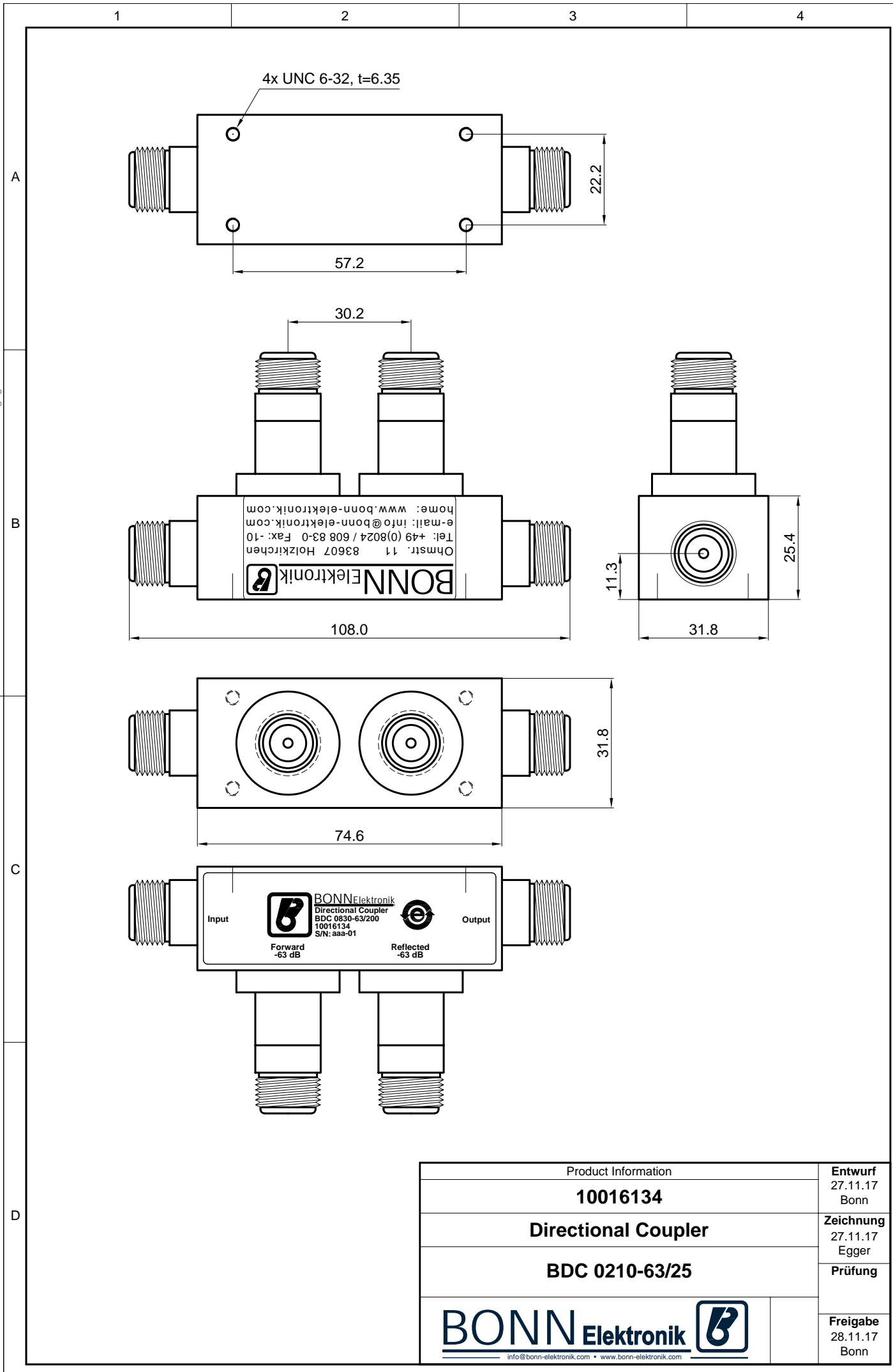
2) alternative main line connectors

X) custom frequency range and custom coupling attenuation upon request

*) WRD 650: below 6.2 GHz, VSWR and directivity deteriorate

Notice:

Under normal operating conditions all Directional Couplers do not need to be mounted to a heatsink. However, if the units permanently run into high mismatch conditions at full rated power, the circuits will heat up significantly. In this case, we would recommend the units be mounted to a suitable heatsink or metal surface, capable to maintain a baseplate temperature of +60°C max.



Product Information		Entwurf 27.11.17 Bonn
10016134		Zeichnung 27.11.17 Egger
Directional Coupler		Prüfung
BDC 0210-63/25		Freigabe 28.11.17 Bonn
 info@bonn-elektronik.com • www.bonn-elektronik.com		