

BDC 0.1 ... 1000 MHz Directional Coupler

STANDARD MODELS

Model	Frequency Range X)	Power P _{min} W	Coupling X) dB	Insertion Loss max dB	Directivity min dB	VSWR max Main Line	Main Line Connector 1), 2)	Coupling Line Connector 3)
BDC 0110-40/500	0.1 ... 1000 MHz	500	40 ±1.5	0.5	20	1.25:1	N-f	SMA-f

S: Single directional coupler

Dimensions without connectors

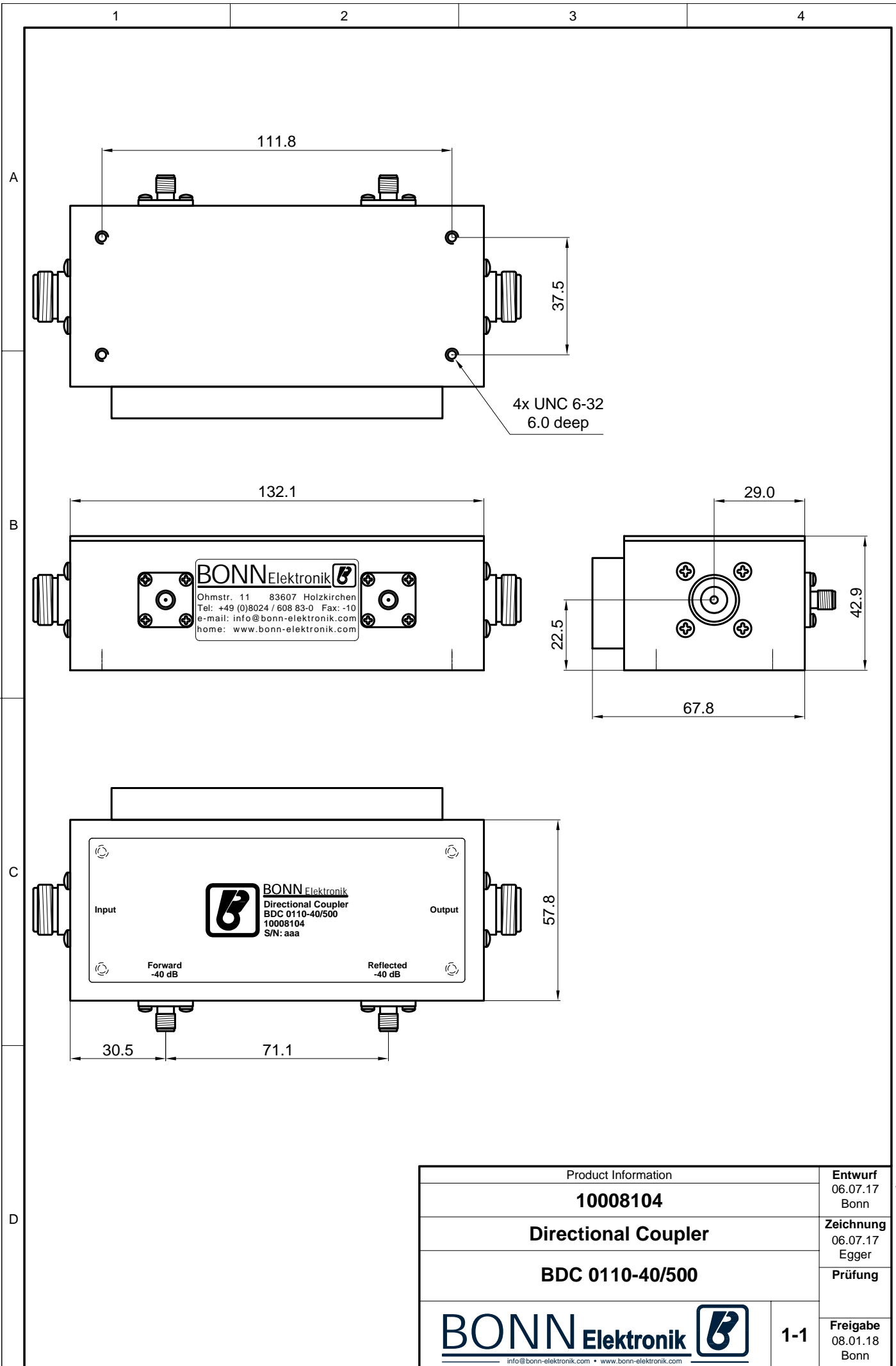
OPTIONS


1) male RF input connector

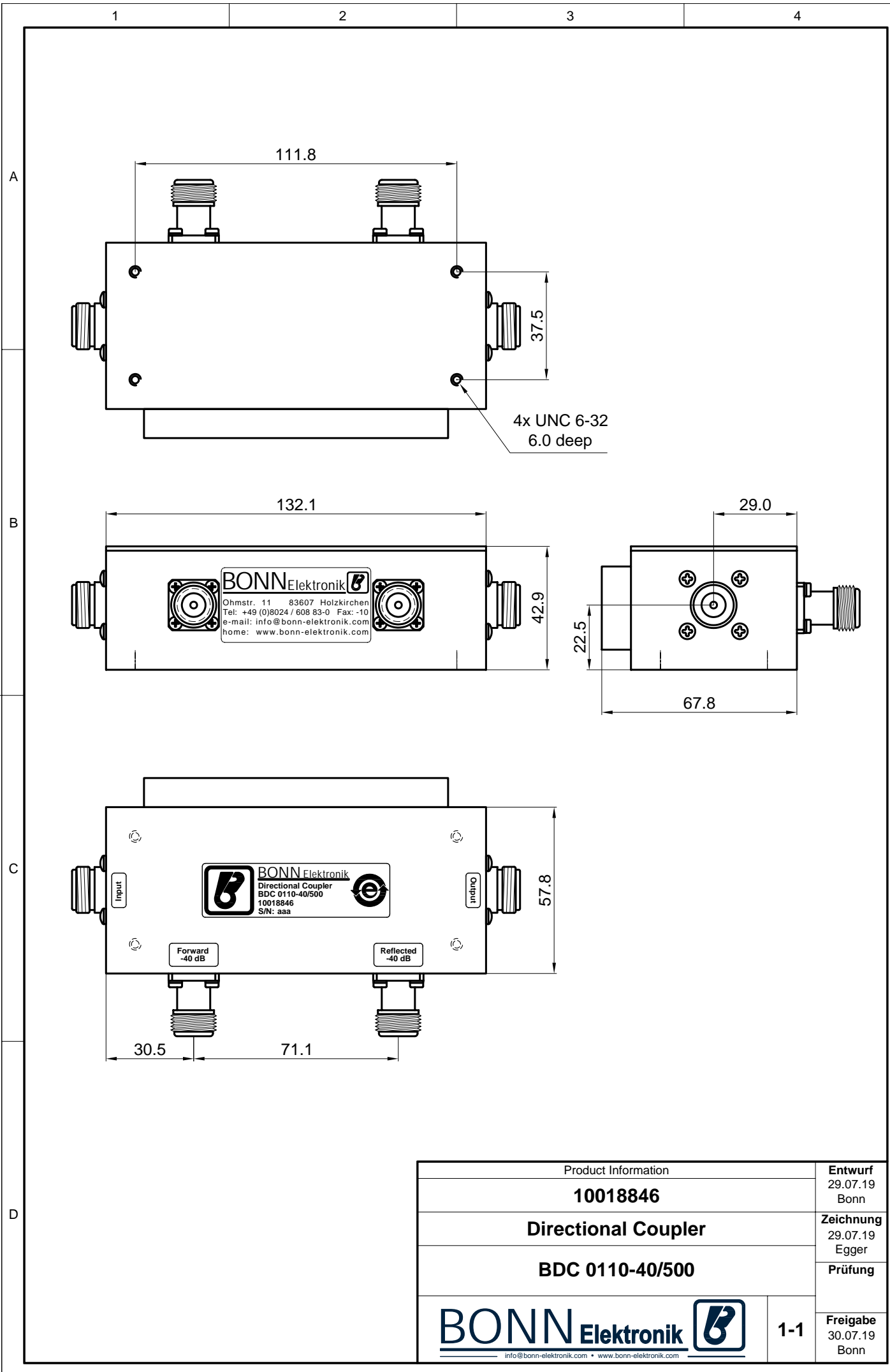
2) alternative main line connectors


3) N-f coupling connectors

X) custom frequency range and custom coupling attenuation upon request



Product Information		Entwurf 06.07.17 Bonn
10008104		Zeichnung 06.07.17 Egger
Directional Coupler		Prüfung
BDC 0110-40/500		Freigabe 08.01.18 Bonn
BONNElektronik 		1-1
info@bonn-elektronik.com • www.bonn-elektronik.com		



Product Information		Entwurf 29.07.19 Bonn
10018846		Zeichnung 29.07.19 Egger
Directional Coupler		Prüfung
BDC 0110-40/500		Freigabe 30.07.19 Bonn
		1-1
info@bonn-elektronik.com • www.bonn-elektronik.com		