

BDC 6 ... 18 GHz Directional Coupler

STANDARD MODELS

Model	Frequency Range X)	Power P _{min} W	Coupling X) dB	Insertion Loss max dB	Directivity min dB	VSWR max Main Line	Main Line Connector 1), 2)	Coupling Line Connector 3)
BDC 6018-20/100S	6 ... 18 GHz	100	20 ±1.5	0.5	12	1.5:1	SMA-f	SMA-f

S: Single directional coupler

Dimensions without connectors

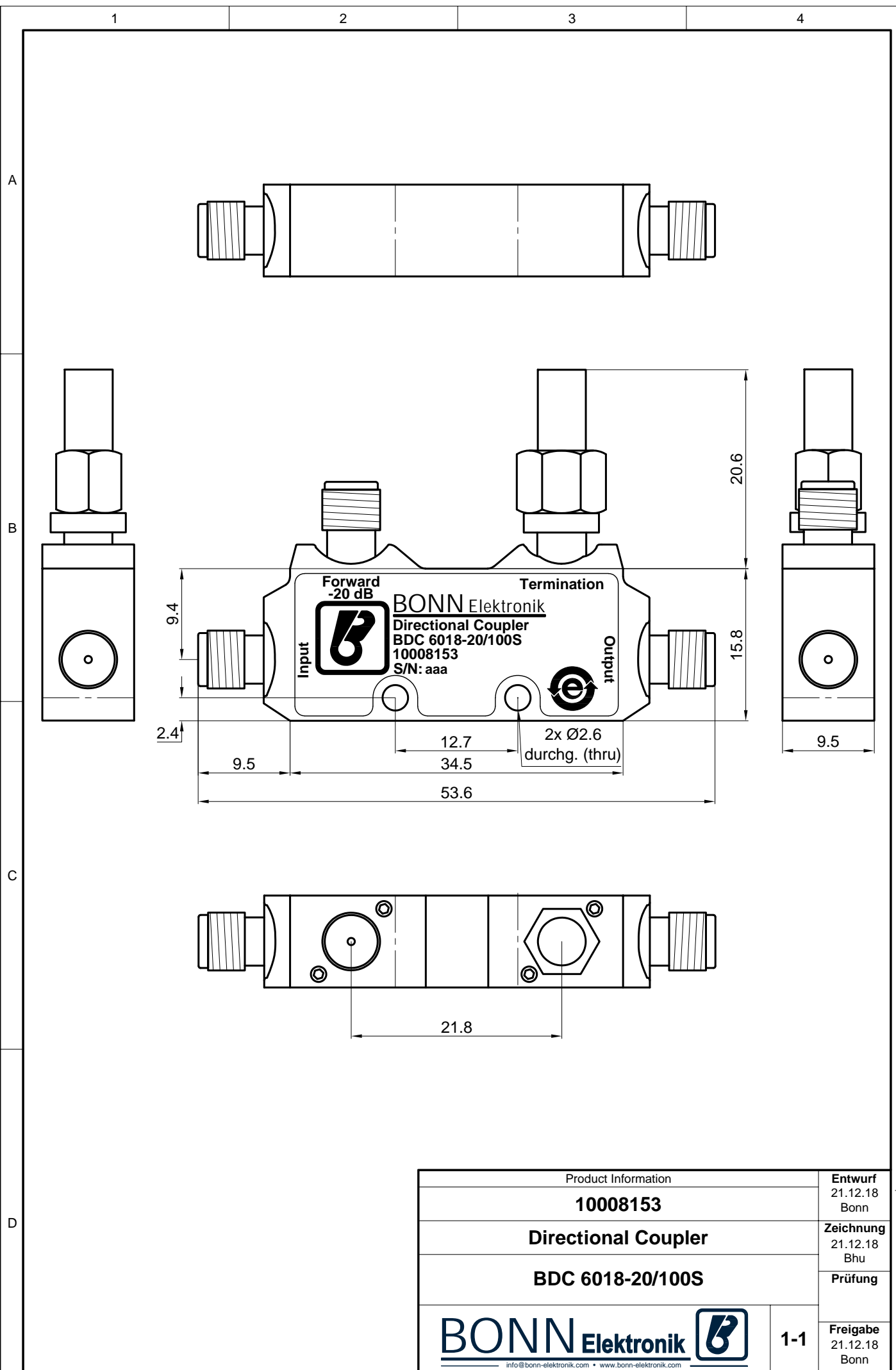
OPTIONS


1) male RF input connector

2) alternative main line connectors

3) N-f coupling connectors

X) custom frequency range and custom coupling attenuation upon request



Product Information		Entwurf 21.12.18 Bonn
10008153		Zeichnung 21.12.18 Bhu
Directional Coupler		Prüfung
BDC 6018-20/100S		Freigabe 21.12.18 Bonn
BONN Elektronik 		1-1
info@bonn-elektronik.com • www.bonn-elektronik.com		