

BDC 4 ... 18 GHz Directional Coupler

STANDARD MODELS

Model	Frequency Range X)	Power P _{min} W	Coupling X) dB	Insertion Loss max dB	Directivity min dB	VSWR max Main Line	Main Line Connector 1), 2)	Coupling Line Connector 3)
BDC 4018-30/30S	4 ... 18 GHz	30	30 ±2.5	1	10	1.6:1	SMA-f	SMA-f

Dimensions without connectors

OPTIONS

1) male RF input connector

2) alternative main line connectors

3) N-f coupling connectors

X) custom frequency range and custom coupling attenuation upon request

1

2

3

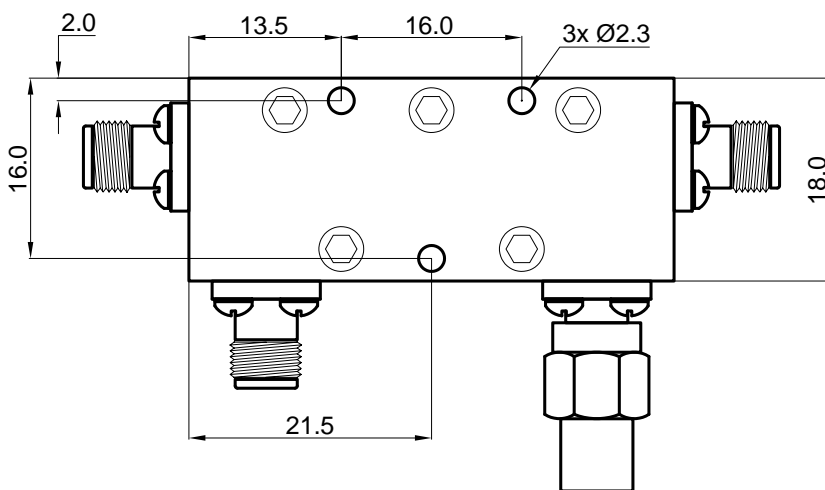
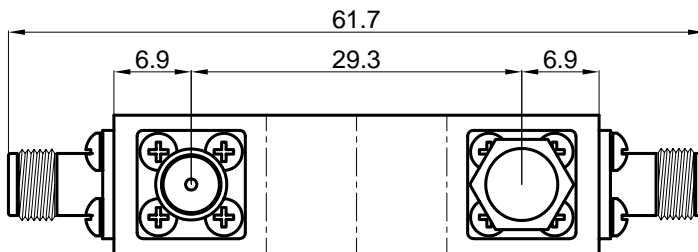
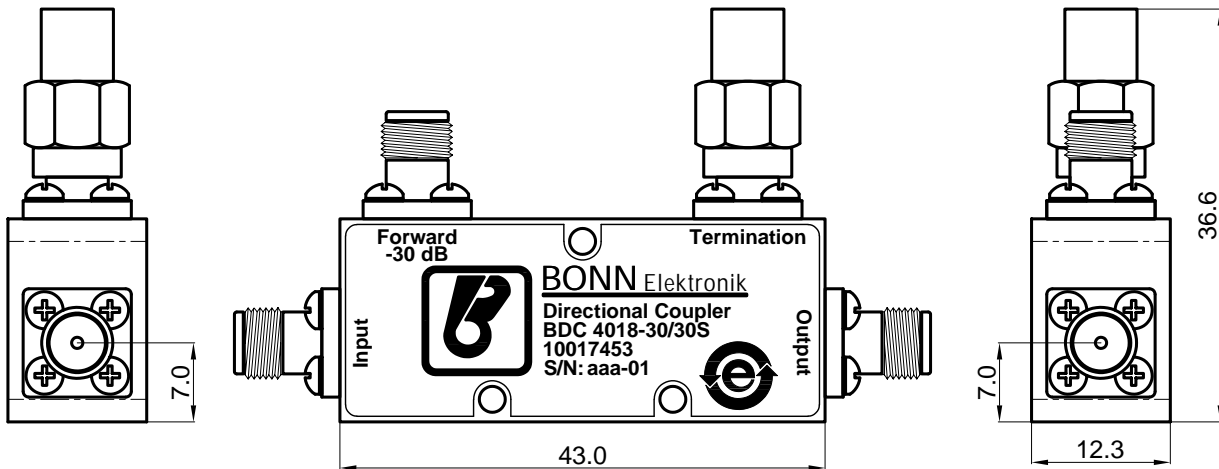
4

A


B

C

D



All dim. mm

Product Information		Entwurf 18.09.18 Bonn
10017453		Zeichnung 18.09.18 Bhu
Directional Coupler		Prüfung
BDC 4018-30/30S		Freigabe 18.09.18 Bonn
BONN Elektronik 		1-1
<small>info@bonn-elektronik.com • www.bonn-elektronik.com</small>		

Schutzvermerk nach DIN ISO 16016 beachten Observe copyright indication DIN ISO 16016

ISO - Projection 