

# BDC 30 ... 2500 MHz Directional Coupler

## STANDARD MODELS

Model	Frequency Range X)	Power P <sub>min</sub> W	Coupling X) dB	Insertion Loss max dB	Directivity min dB	VSWR max Main Line	Main Line Connector 1), 2)	Coupling Line Connector 3)
BDC 0325-43/100	30 ... 2500 MHz	100	43 ±2.75	0.35	18	1.25:1	N-f	SMA-f

S: Single directional coupler

Dimensions without connectors

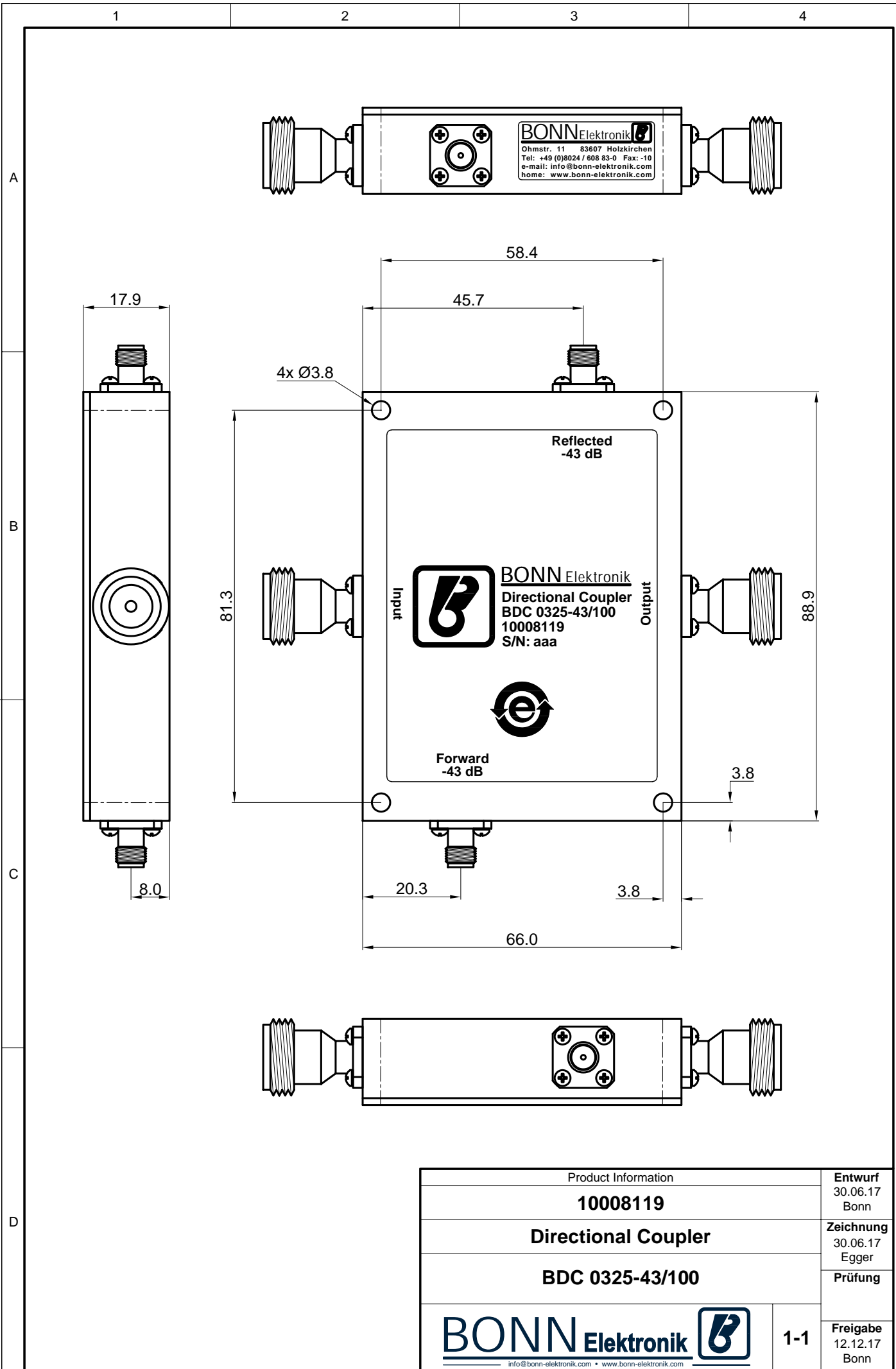
## OPTIONS


1) male RF input connector

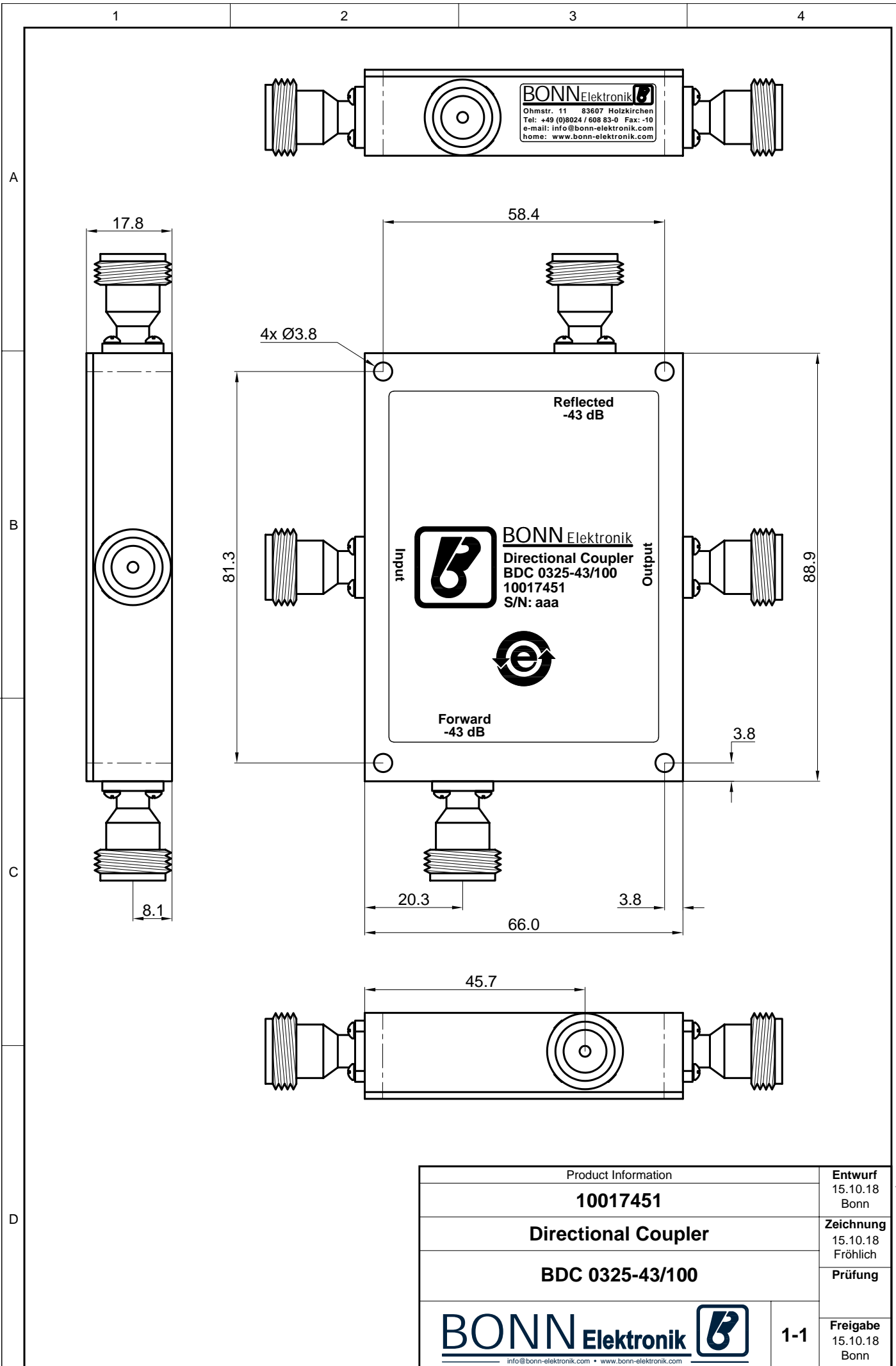
2) alternative main line connectors


3) N-f coupling connectors

X) custom frequency range and custom coupling attenuation upon request



Product Information		<b>Entwurf</b> 30.06.17 Bonn
<b>10008119</b>		<b>Zeichnung</b> 30.06.17 Egger
<b>Directional Coupler</b>		<b>Prüfung</b>
<b>BDC 0325-43/100</b>		<b>Freigabe</b> 12.12.17 Bonn
<b>BONN Elektronik</b> 		<b>1-1</b>
info@bonn-elektronik.com • www.bonn-elektronik.com		



Product Information		<b>Entwurf</b> 15.10.18 Bonn
<b>10017451</b>		<b>Zeichnung</b> 15.10.18 Fröhlich
<b>Directional Coupler</b>		<b>Prüfung</b>
<b>BDC 0325-43/100</b>		<b>Freigabe</b> 15.10.18 Bonn
<b>BONNElektronik</b> 		<b>1-1</b>
info@bonn-elektronik.com • www.bonn-elektronik.com		