

BDC 1 ... 4 GHz Directional Coupler

STANDARD MODELS

Model	Frequency Range X)	Power P _{min} W	Coupling X) dB	Insertion Loss max dB	Directivity min dB	VSWR max Main Line	Main Line Connector 1), 2)	Coupling Line Connector 3)
BDC 1040-50/1500	1 ... 4 GHz	1500	50 ±1	0.2	20	1.3:1	7-16-f	SMA-f

S: Single directional coupler

Dimensions without connectors

OPTIONS

1) male RF input connector

2) alternative main line connectors

3) N-f coupling connectors

X) custom frequency range and custom coupling attenuation upon request

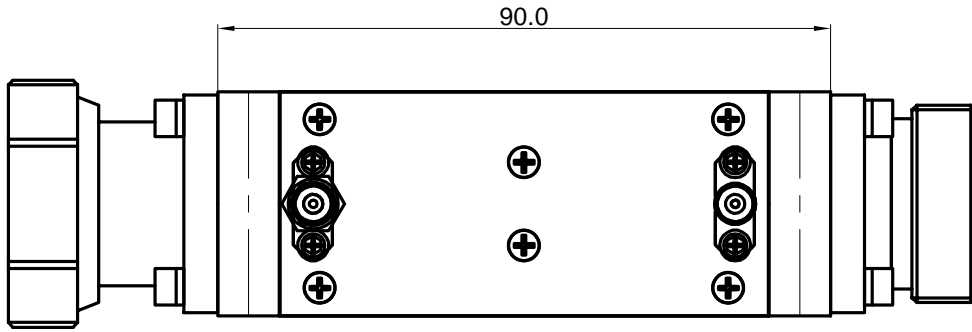
1

2

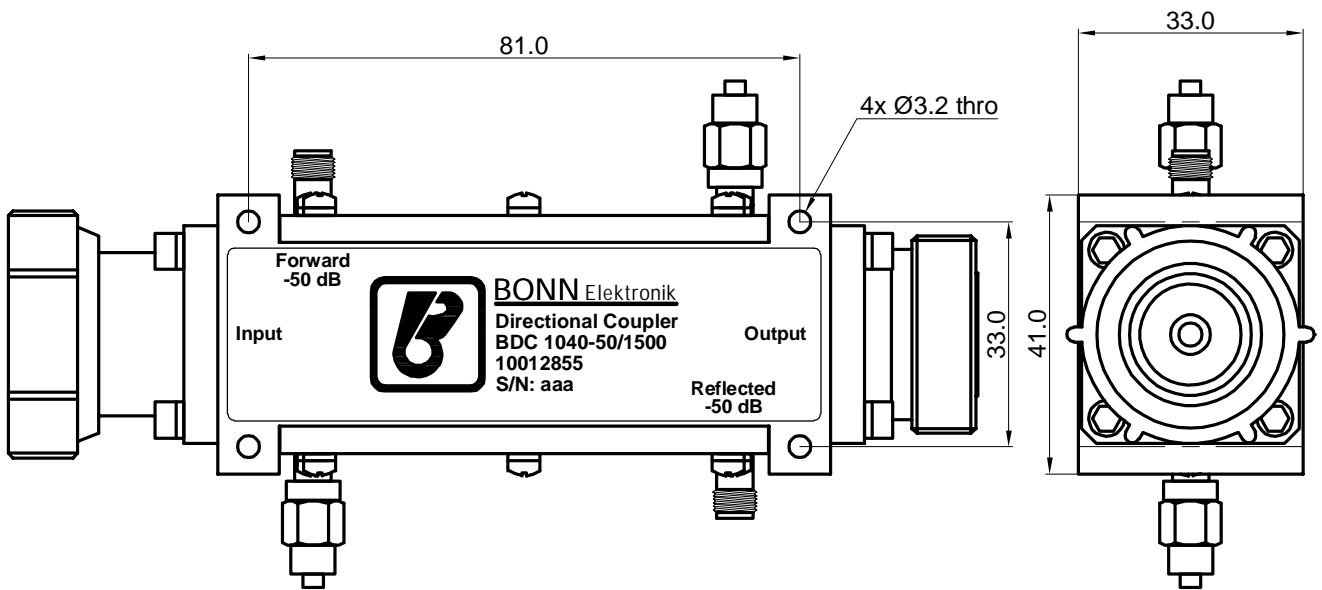
3

4

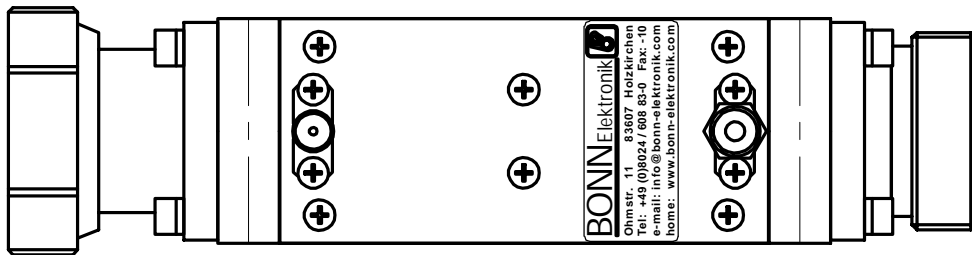
A



B




C



D

All dim. = mm

Product Information		Entwurf 01.06.17 Bonn
10012855		
Directional Coupler		Zeichnung 01.06.17 Fröhlich
BDC 1040-50/1500		
		Prüfung
		Freigabe 18.10.17 Bonn
info@bonn-elektronik.com • www.bonn-elektronik.com		1-1

A

B

C

D

1

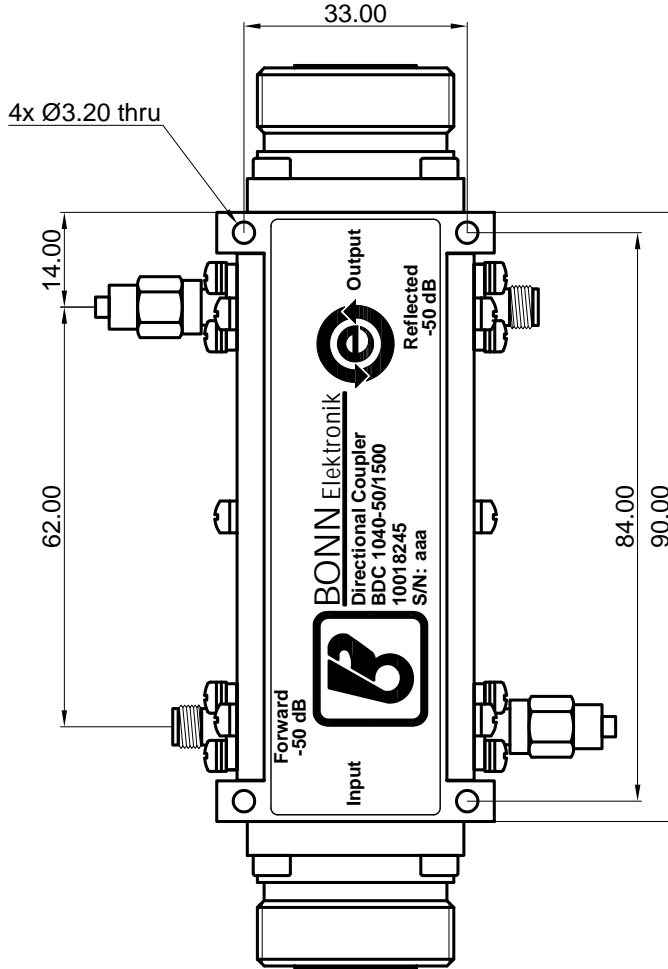
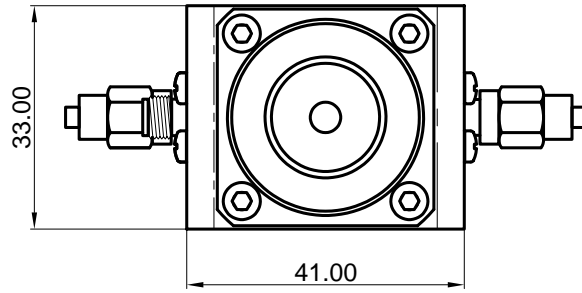
2

3

4



4x Ø3.20 thru



Product Information		Entwurf 22.02.19 Bonn
10018245		Zeichnung 22.02.19 Egger
Directional Coupler		Prüfung
BDC 1040-50/1500		Freigabe 25.02.19 Bonn
BONN Elektronik 		1-1
info@bonn-elektronik.com • www.bonn-elektronik.com		