

BDC 1 ... 4 GHz Directional Coupler

STANDARD MODELS

Model	Frequency Range X)	Power P _{min} W	Coupling X) dB	Insertion Loss max dB	Directivity min dB	VSWR max Main Line	Main Line Connector 1), 2)	Coupling Line Connector 3)
BDC 1040-30/500	1 ... 4 GHz	500	30 ±1	0.2	20	1.3:1	N-f	SMA-f

S: Single directional coupler

Dimensions without connectors

OPTIONS

1) male RF input connector

2) alternative main line connectors

3) N-f coupling connectors

X) custom frequency range and custom coupling attenuation upon request

1

2

3

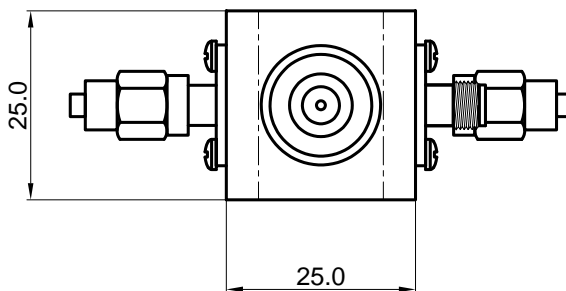
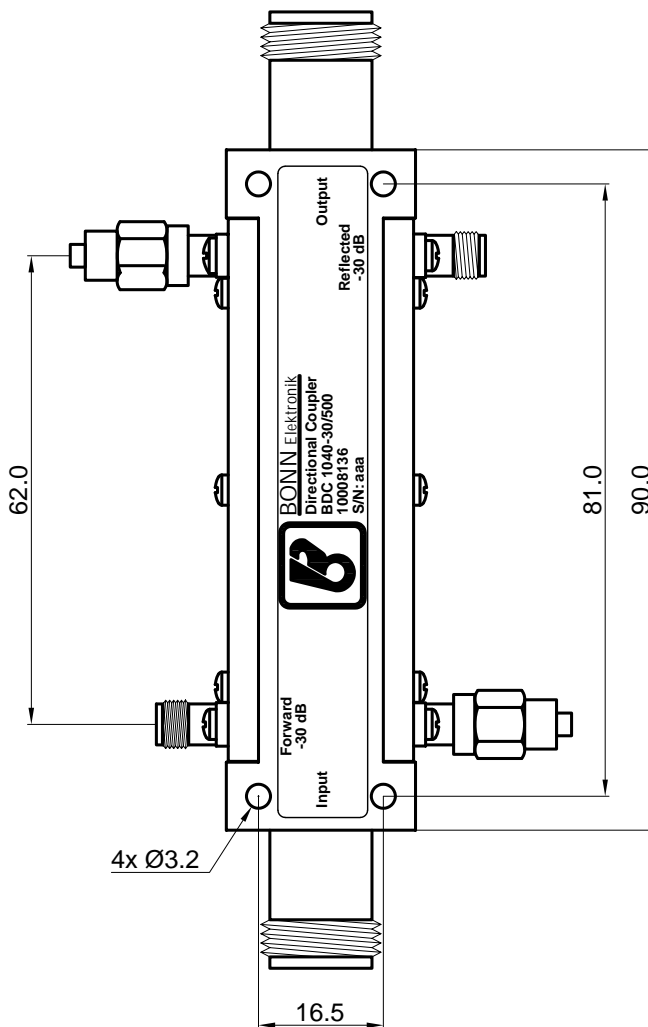
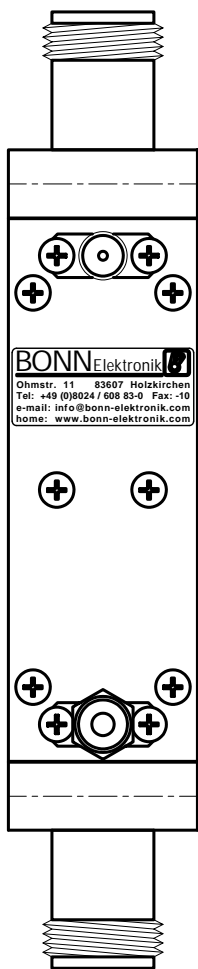
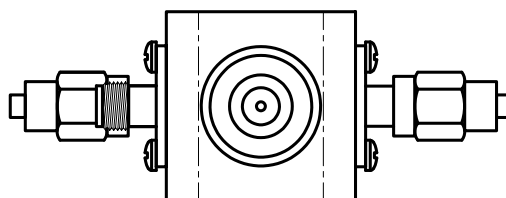
4

A


B

C

D



All dim. = mm

Product Information		Entwurf 03.08.17 Bonn
10008136		
Directional Coupler		Zeichnung 03.08.17 Fröhlich
BDC 1040-30/500		
		Prüfung
		Freigabe 12.12.17 Bonn
1-1		

