

BDC 9 kHz ... 250 MHz Directional Coupler

STANDARD MODELS

Model	Frequency Range X)	Power P _{min} W	Coupling X) dB	Insertion Loss max dB	Directivity min dB	VSWR max Main Line	Main Line Connector 1), 2)	Coupling Line Connector 3)
BDC 0125-40/100	9 kHz ... 250 MHz	100	40 ±1.5	0.5	20	1.1:1	N-f	SMA-f

S: Single directional coupler

Dimensions without connectors

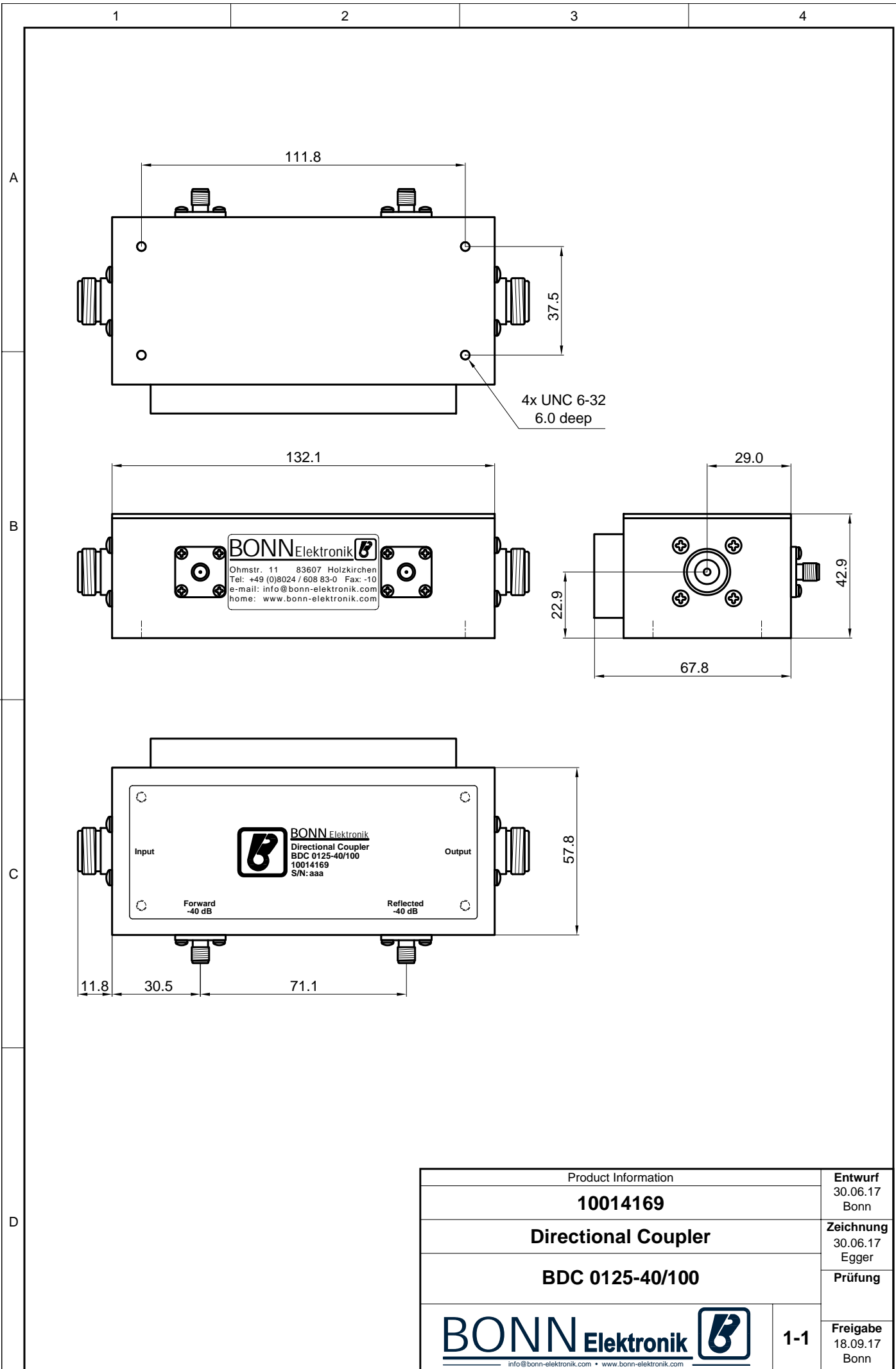
OPTIONS

1) male RF input connector

2) alternative main line connectors

3) N-f coupling connectors

X) custom frequency range and custom coupling attenuation upon request



4x UNC 6-32
6.0 deep

BONNElektronik
 Ohmstr. 11 83607 Holzkirchen
 Tel: +49 (0)8024 / 608 83-0 Fax: -10
 e-mail: info@bonn-elektronik.com
 home: www.bonn-elektronik.com


BONNElektronik
 Directional Coupler
 BDC 0125-40/100
 10014169
 S/N:aaa

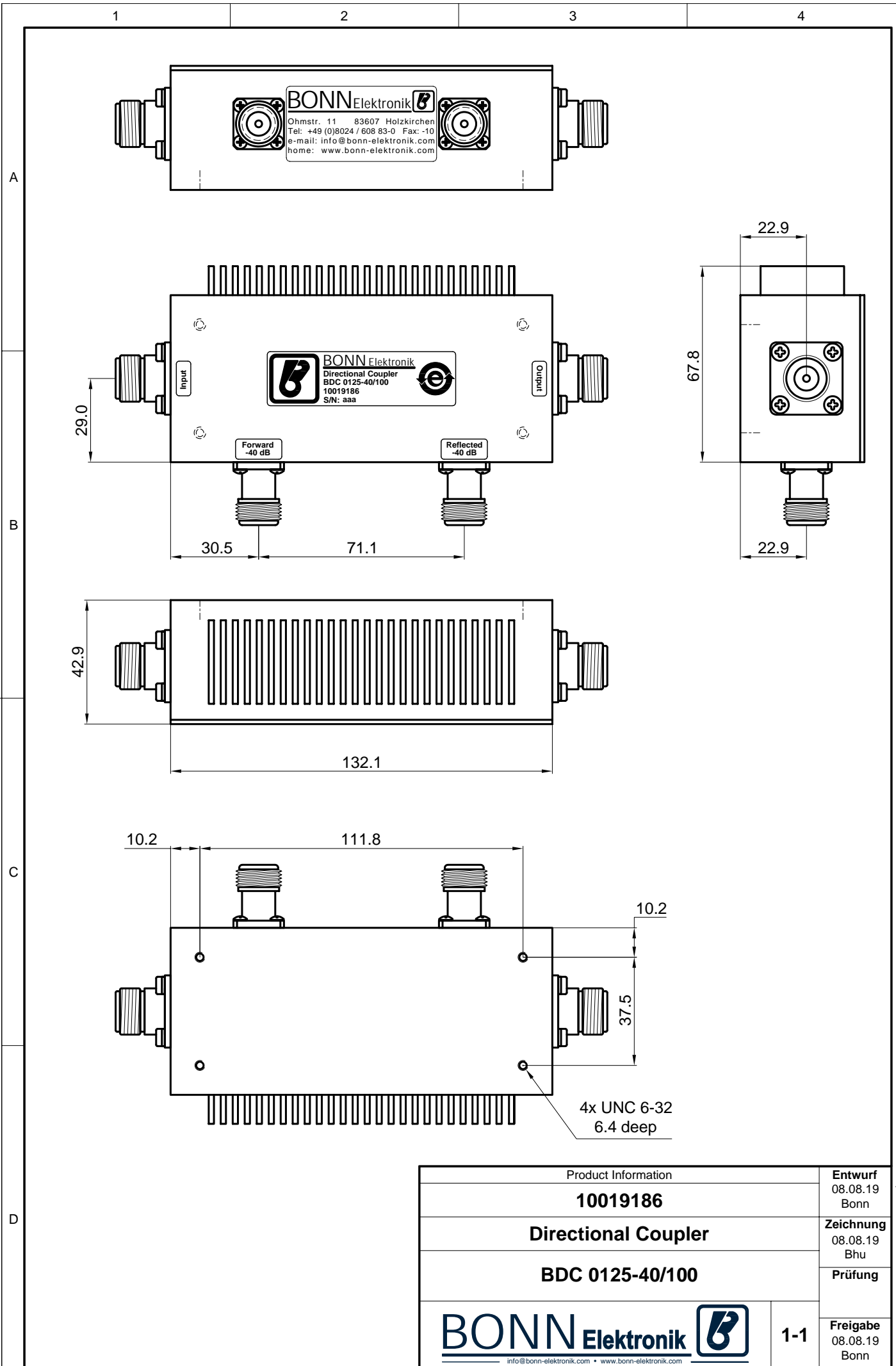
Input


Output

Forward
-40 dB

Reflected
-40 dB

Product Information		Entwurf 30.06.17 Bonn
10014169		Zeichnung 30.06.17 Egger
Directional Coupler		Prüfung
BDC 0125-40/100		Freigabe 18.09.17 Bonn
BONN Elektronik 		1-1
info@bonn-elektronik.com • www.bonn-elektronik.com		



Product Information		Entwurf 08.08.19 Bonn
10019186		Zeichnung 08.08.19 Bhu
Directional Coupler		Prüfung
BDC 0125-40/100		Freigabe 08.08.19 Bonn
BONN Elektronik 		1-1
info@bonn-elektronik.com • www.bonn-elektronik.com		