

# BDC 9 kHz ... 250 MHz Directional Coupler

## STANDARD MODELS

Model	Frequency Range X)	Power P <sub>min</sub> W	Coupling X) dB	Insertion Loss max dB	Directivity min dB	VSWR max Main Line	Main Line Connector 1), 2)	Coupling Line Connector 3)
BDC 0125-30/250	9 kHz ... 250 MHz	250	30 ±1.5	0.8	20	1.25:1	N-f	SMA-f

S: Single directional coupler

Dimensions without connectors

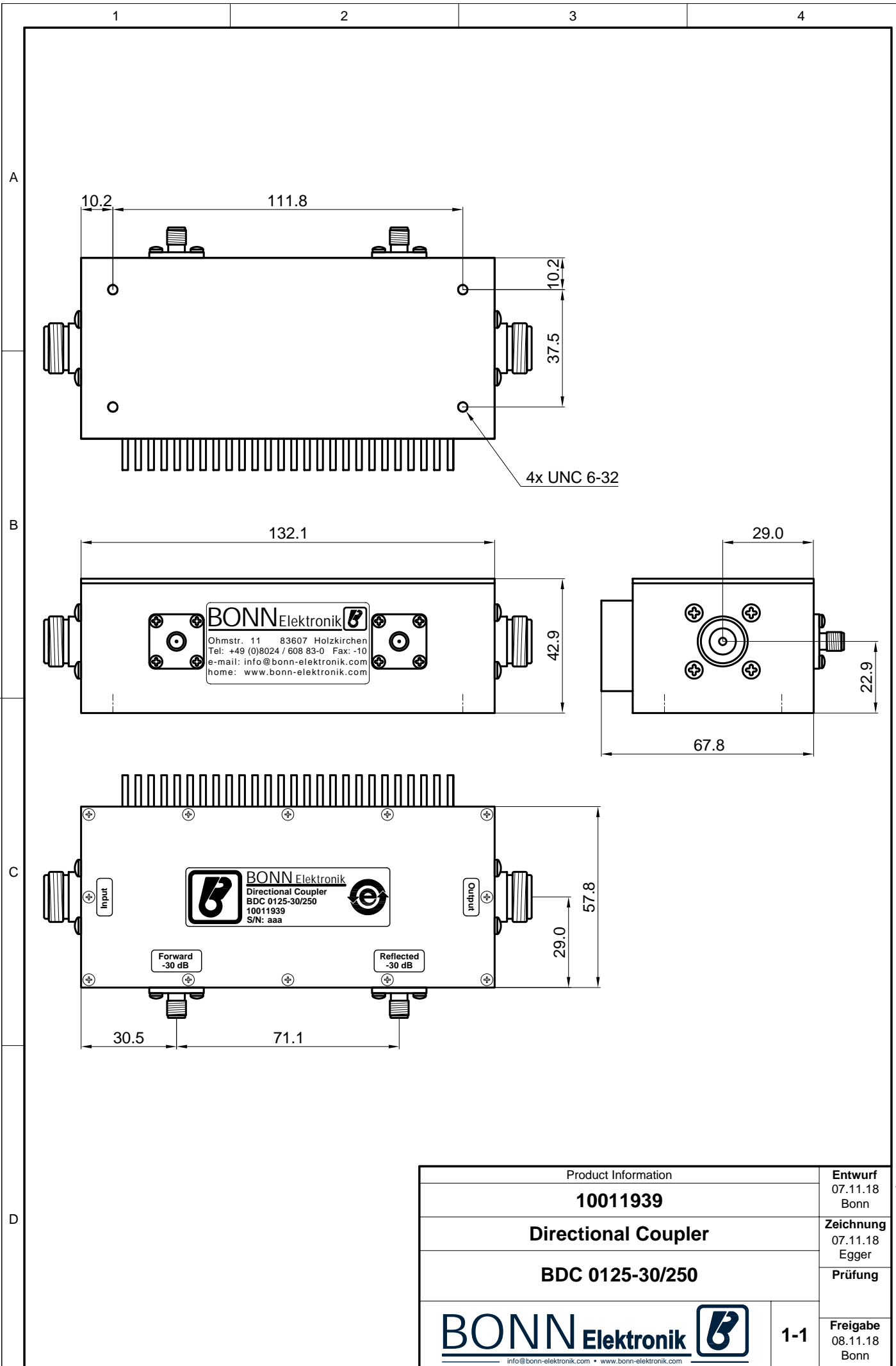
## OPTIONS


1) male RF input connector

2) alternative main line connectors

3) N-f coupling connectors

X) custom frequency range and custom coupling attenuation upon request



Product Information		<b>Entwurf</b> 07.11.18 Bonn
<b>10011939</b>		<b>Zeichnung</b> 07.11.18 Egger
<b>Directional Coupler</b>		<b>Prüfung</b>
<b>BDC 0125-30/250</b>		<b>Freigabe</b> 08.11.18 Bonn
		<b>1-1</b>
<small>info@bonn-elektronik.com • www.bonn-elektronik.com</small>		