

BDC 9 kHz ... 100 MHz Directional Coupler

STANDARD MODELS

Model	Frequency Range X)	Power P _{min} W	Coupling X) dB	Insertion Loss max dB	Directivity min dB	VSWR max Main Line	Main Line Connector 1), 2)	Coupling Line Connector 3)
BDC 0110-70/10000	9 kHz ... 100 MHz	10000	70 ±2	0.1	20	1.3:1	1 5/8" EIA	SMA-f

Dimensions without connectors

OPTIONS

1) male RF input connector

2) alternative main line connectors

3) N-f coupling connectors

X) custom frequency range and custom coupling attenuation upon request

1

2

3

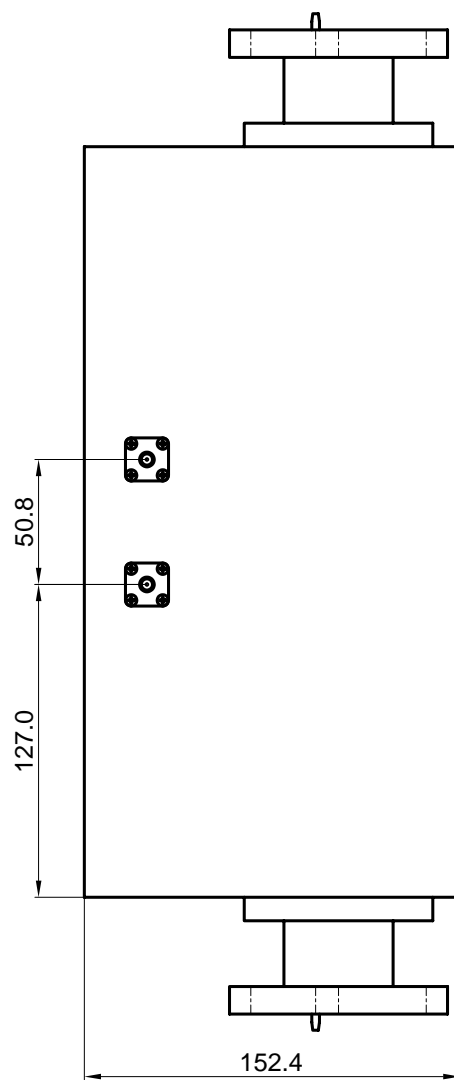
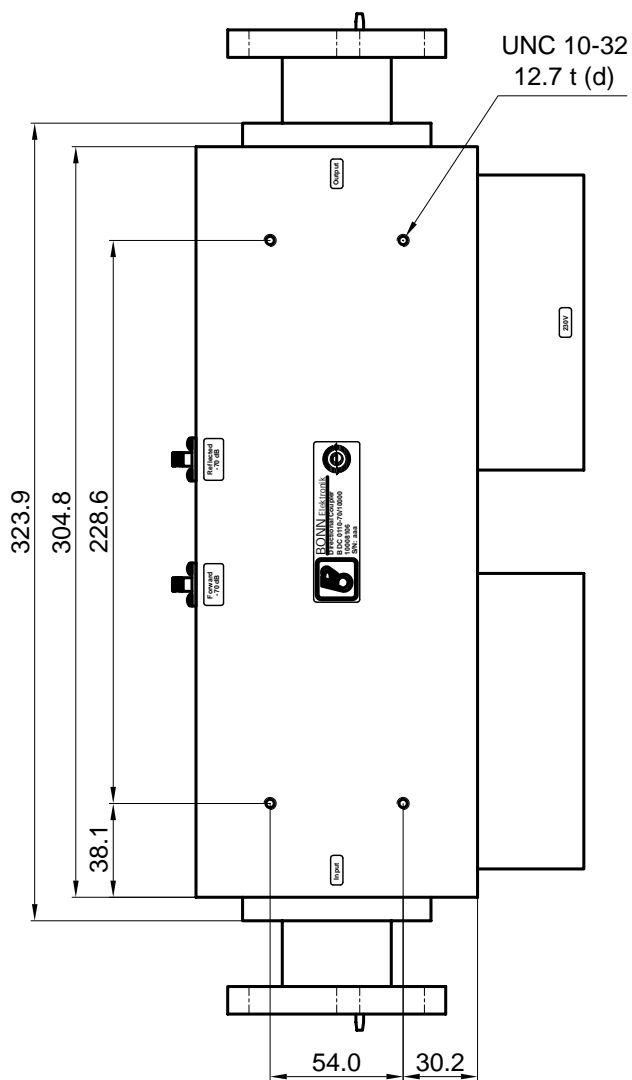
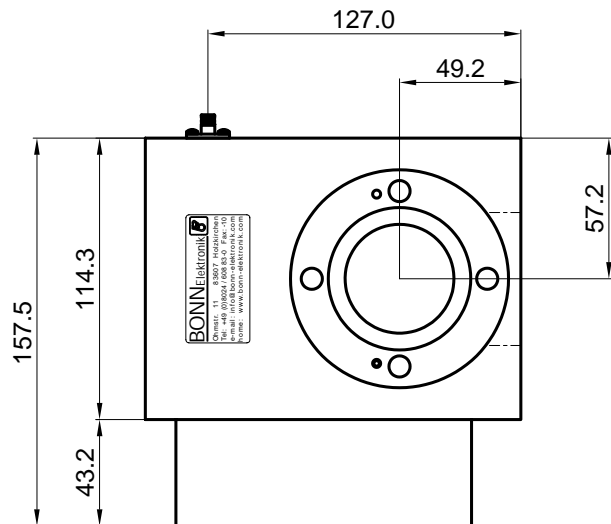
4

A


B

C

D



All dim. mm

Product Information		Entwurf 01.10.18 Bonn
10008106		
Directional Coupler		Zeichnung 01.10.18 Bhu
BDC 0110-70/10000		
		Prüfung
		Freigabe 08.10.18 Bonn
1-1		

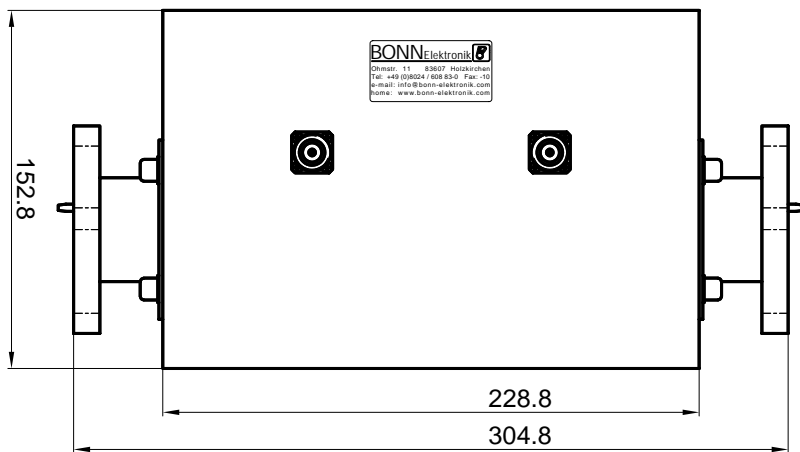
1

2

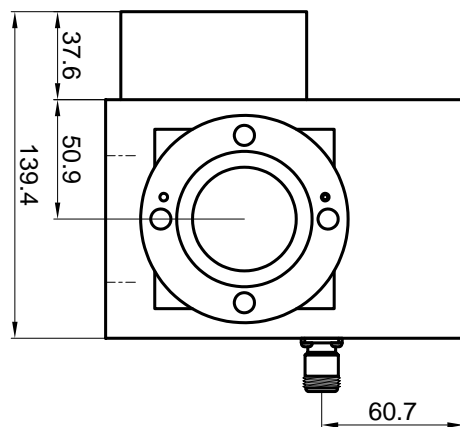
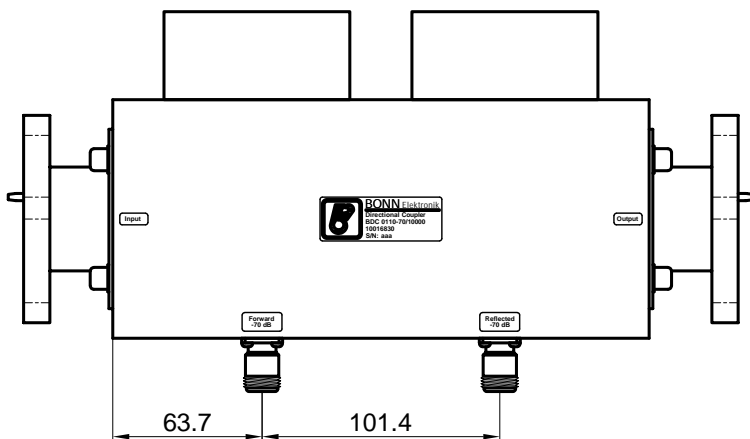
3

4

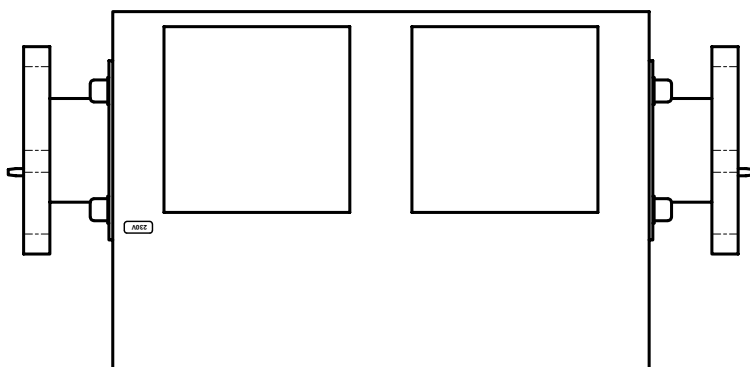
A



B




C



D

All dim. mm

Product Information		Entwurf 04.04.18 Bonn
10016830		
Directional Coupler		
BDC 0110-70/10000		Zeichnung 04.04.18 Bhu
		Prüfung
		Freigabe 10.04.18 Bonn
info@bonn-elektronik.com • www.bonn-elektronik.com		1-1

Schutzvermerk nach DIN ISO 16016 beachten Observe copyright indication DIN ISO 16016



ISO - Projection