

BDC 9 kHz ... 100 MHz Directional Coupler

STANDARD MODELS

Model	Frequency Range X)	Power Pmin W	Coupling X) dB	Insertion Loss max dB	Directivity min dB	VSWR max Main Line	Main Line Connector 1), 2)	Coupling Line Connector 3)
BDC 0110-60/10000	9 kHz ... 100 MHz	10000	60 ±2	0.1	20	1.3:1	1 5/8" EIA	SMA-f

Dimensions without connectors

OPTIONS

1) male RF input connector

2) alternative main line connectors

3) N-f coupling connectors

X) custom frequency range and custom coupling attenuation upon request

1

2

3

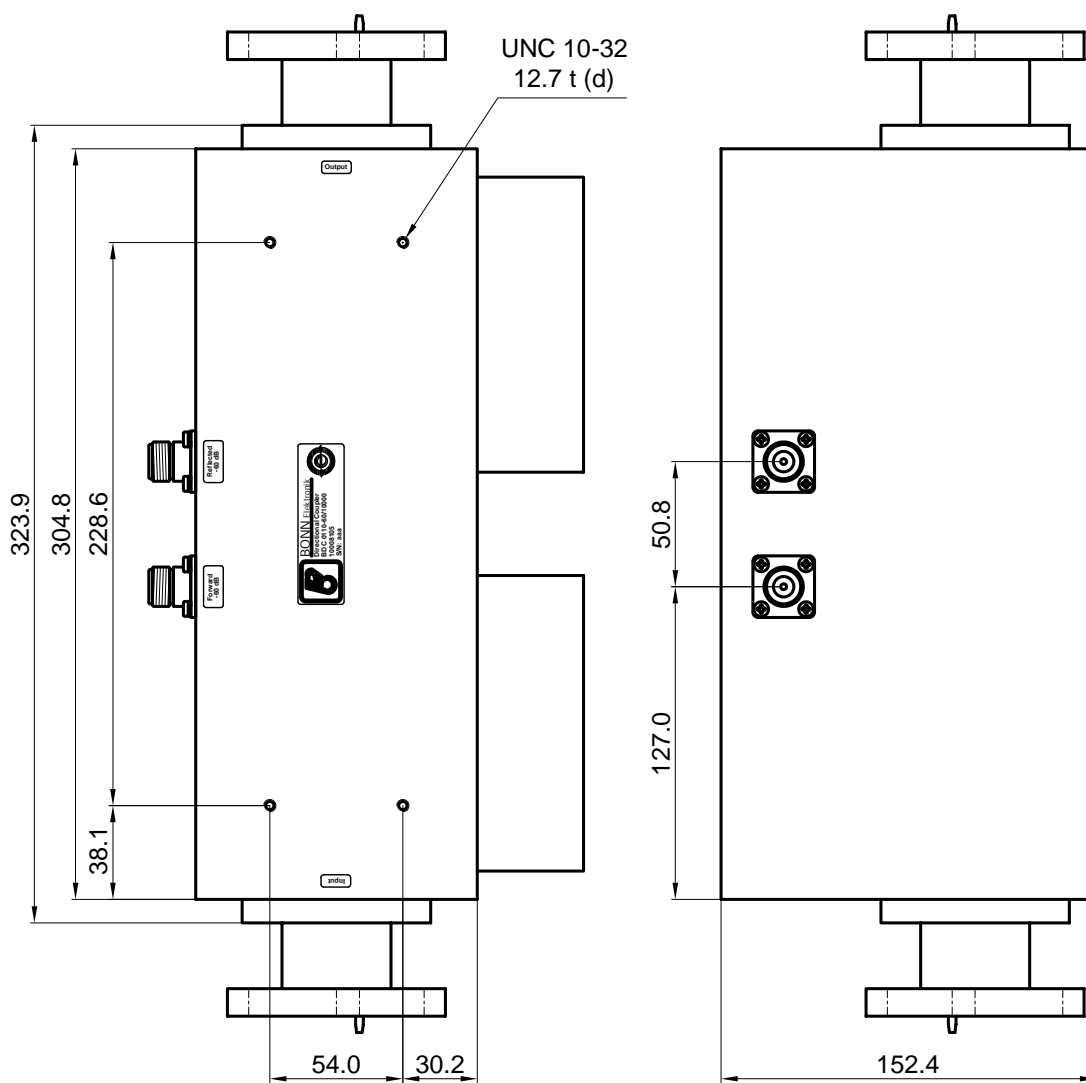
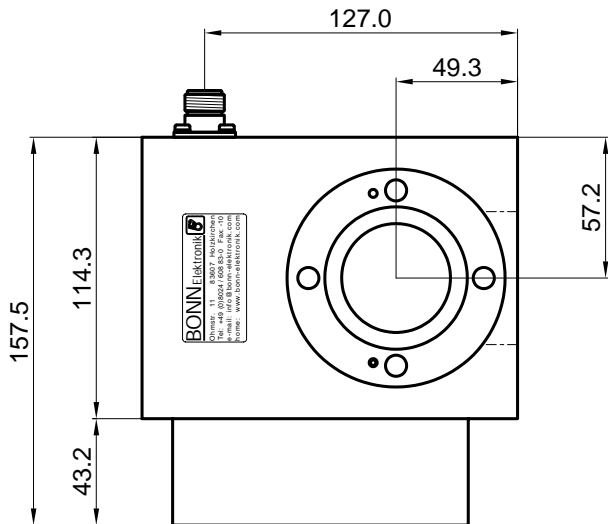
4

A


B

C

D



All dim. mm

Product Information		Entwurf 13.03.18 Bonn
10008105		
Directional Coupler		Zeichnung 13.03.18 Bhu
BDC 0110-60/10000		
		Prüfung
		Freigabe 24.04.18 Bonn
1-1		ISO - Projection

1

2

3

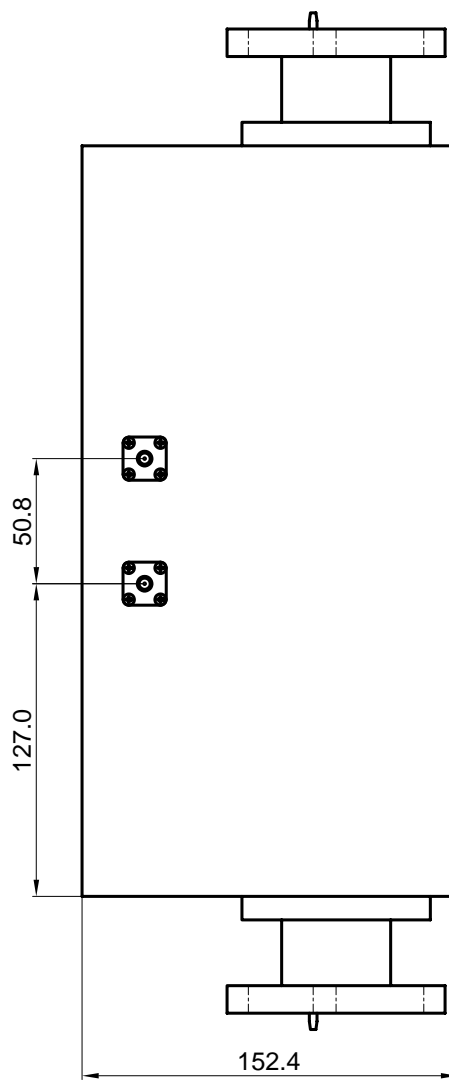
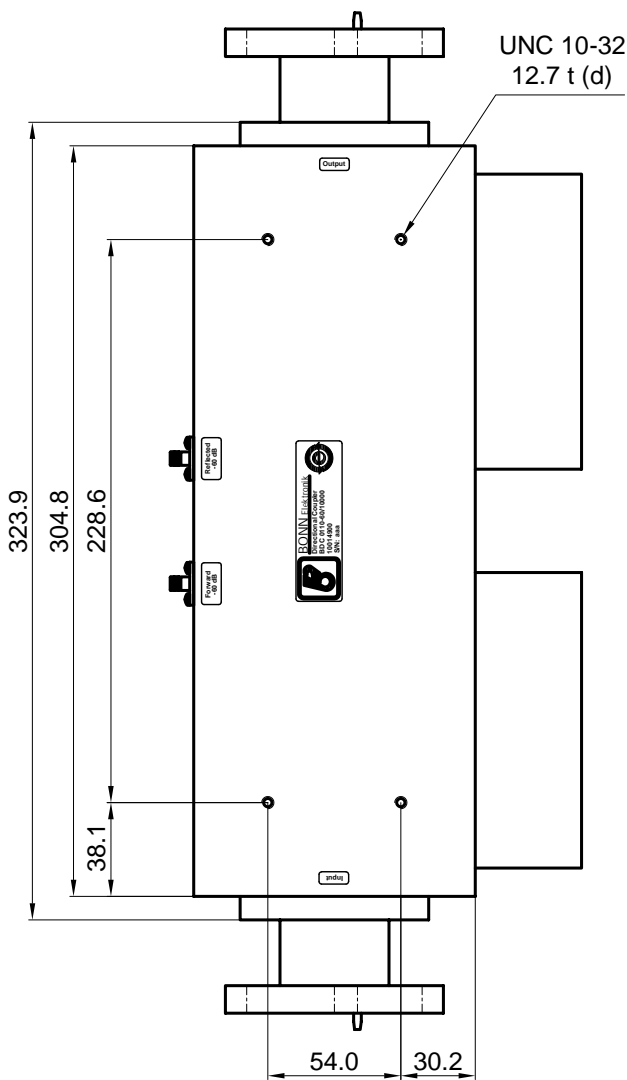
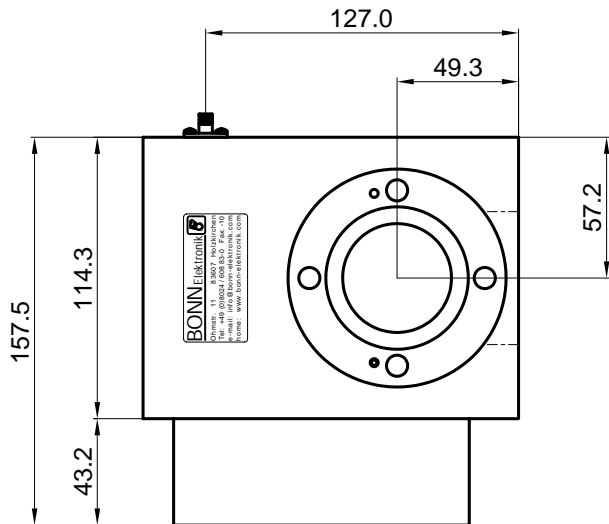
4

A


B

C

D



All dim. mm

Product Information		Entwurf 15.03.18 Bonn
10014900		Zeichnung 15.03.18 Bhu
Directional Coupler		Prüfung
BDC 0110-60/10000		Freigabe 24.04.18 Bonn
		1-1
info@bonn-elektronik.com • www.bonn-elektronik.com		