

STANDARD MODELS

Model	Frequency Range X)	Coupling X) dB	Power P _{min} W	Insertion Loss max dB	Directivity min dB	VSWR max Main Line	Main Line Connector 1), 2)	Coupling Line Connector 3)
BDC 0140-10/20S	1 ... 40 GHz	10 ±1.9	20	3	10	1.7	2,92 mm-f	2,92 mm-f

S: Single directional coupler

OPTIONS

1) male RF input connector

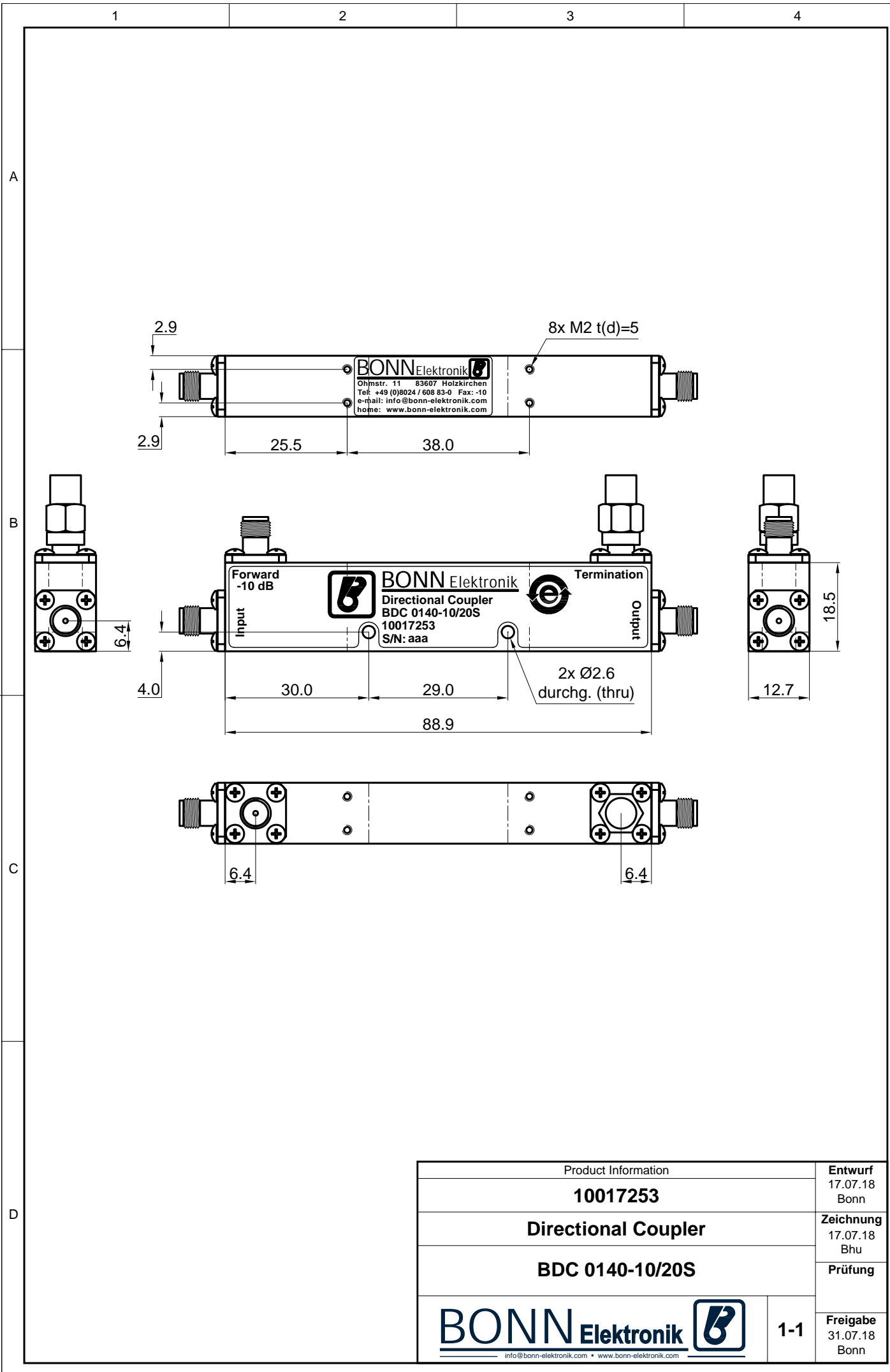
2) alternative main line connectors


X) custom frequency range and custom coupling attenuation upon request

*) WRD 650: below 6.2 GHz, VSWR and directivity deteriorate

Notice:

Under normal operating conditions all Directional Couplers do not need to be mounted to a heatsink. However, if the units permanently run into high mismatch conditions at full rated power, the circuits will heat up significantly. In this case, we would recommend the units be mounted to a suitable heatsink or metal surface, capable to maintain a baseplate temperature of +60°C max.



Product Information		Entwurf 17.07.18 Bonn
10017253		Zeichnung 17.07.18 Bhu
Directional Coupler		Prüfung
BDC 0140-10/20S		Freigabe 31.07.18 Bonn
 info@bonn-elektronik.com • www.bonn-elektronik.com		1-1