

## STANDARD MODELS

Model	Frequency Range X)	Coupling X) dB	Power P <sub>min</sub> W	Insertion Loss max dB	Directivity min dB	VSWR max Main Line	Main Line Connector 1), 2)	Coupling Line Connector 3)
BDC 0201-40/1500	20 ... 100 MHz	40 ±1.5	1500	0.1	20	1.15:1	N-f	SMA-f

S: Single directional coupler

## OPTIONS

1) male RF input connector

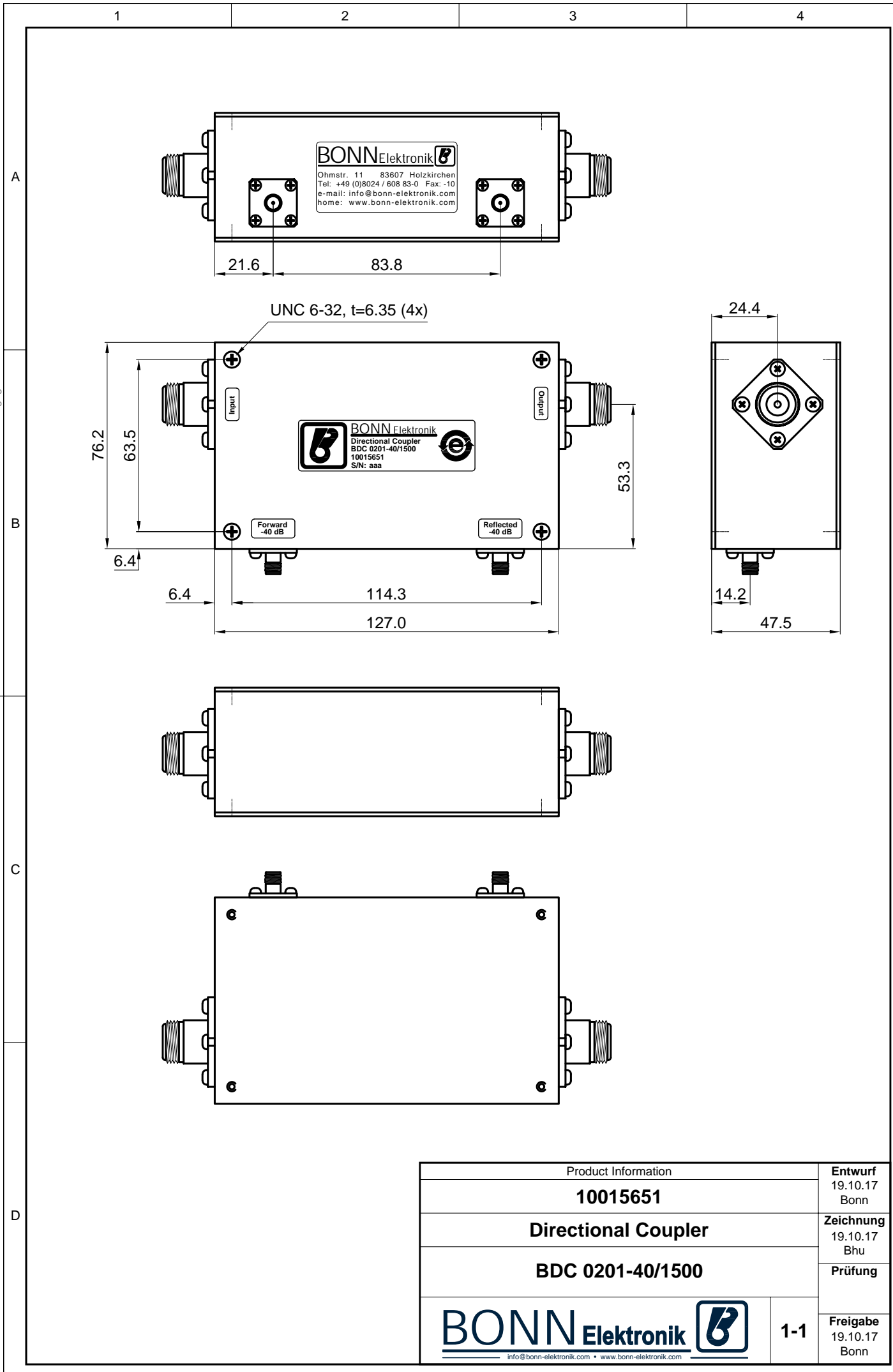
2) alternative main line connectors


X) custom frequency range and custom coupling attenuation upon request

\*) WRD 650: below 6.2 GHz, VSWR and directivity deteriorate

### Notice:

Under normal operating conditions all Directional Couplers do not need to be mounted to a heatsink. However, if the units permanently run into high mismatch conditions at full rated power, the circuits will heat up significantly. In this case, we would recommend the units be mounted to a suitable heatsink or metal surface, capable to maintain a baseplate temperature of +60°C max.



Product Information		<b>Entwurf</b> 19.10.17 Bonn
<b>10015651</b>		<b>Zeichnung</b> 19.10.17 Bhu
<b>Directional Coupler</b>		<b>Prüfung</b>
<b>BDC 0201-40/1500</b>		<b>Freigabe</b> 19.10.17 Bonn
<b>BONN Elektronik</b> 		<b>1-1</b>
info@bonn-elektronik.com • www.bonn-elektronik.com		