

STANDARD MODELS

Model	Frequency Range X)	Coupling X) dB	Power P _{min} W	Insertion Loss max dB	Directivity min dB	VSWR max Main Line	Main Line Connector 1), 2)	Coupling Line Connector 3)
BDC 1018-30/20S	1 ... 18 GHz	30 ±1.1	20	0.8	14	1.4:1	SMA-f	SMA-f

S: Single directional coupler

OPTIONS

1) male RF input connector

2) alternative main line connectors

X) custom frequency range and custom coupling attenuation upon request

*) WRD 650: below 6.2 GHz, VSWR and directivity deteriorate

Notice:

Under normal operating conditions all Directional Couplers do not need to be mounted to a heatsink. However, if the units permanently run into high mismatch conditions at full rated power, the circuits will heat up significantly. In this case, we would recommend the units be mounted to a suitable heatsink or metal surface, capable to maintain a baseplate temperature of +60°C max.

A

B

C

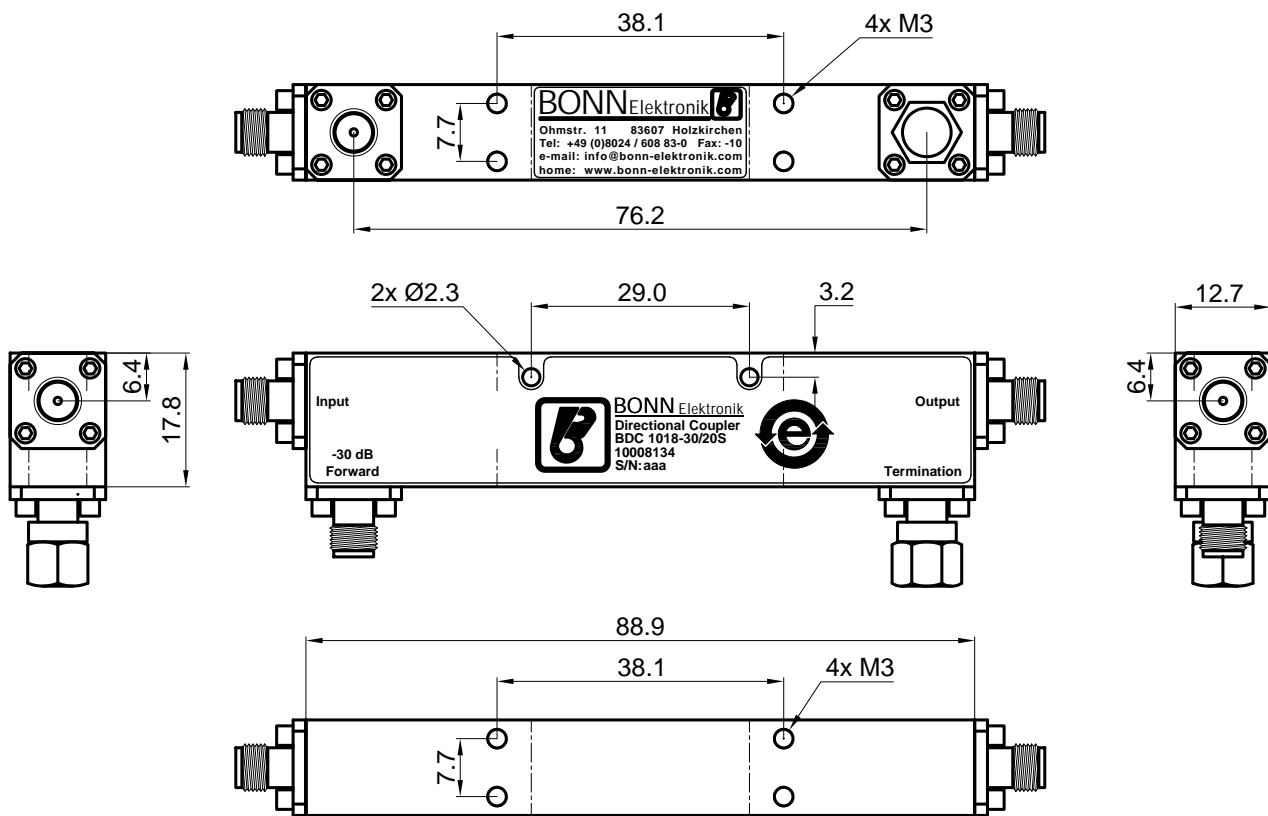
D


1

2

3

4



Product Information		Entwurf 25.07.17 Bonn
10008134		Zeichnung 25.07.17 Egger
Directional Coupler		Prüfung
BDC 1018-30/20S		Freigabe 12.09.17 Bonn
		1-1
<small>info@bonn-elektronik.com • www.bonn-elektronik.com</small>		