

STANDARD MODELS

Model	Frequency Range X)	Coupling X) dB	Power P _{min} W	Insertion Loss max dB	Directivity min dB	VSWR max Main Line	Main Line Connector 1), 2)	Coupling Line Connector 3)
BDC 6018-20/35S	6 ... 18 GHz	20 ±1.85	35	0.6	15	1.4:1	SMA-f	SMA-f

S: Single directional coupler

OPTIONS

1) male RF input connector

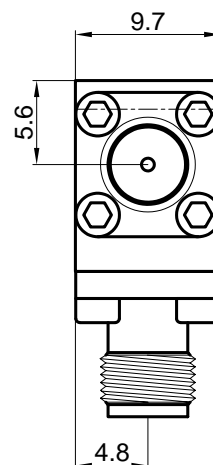
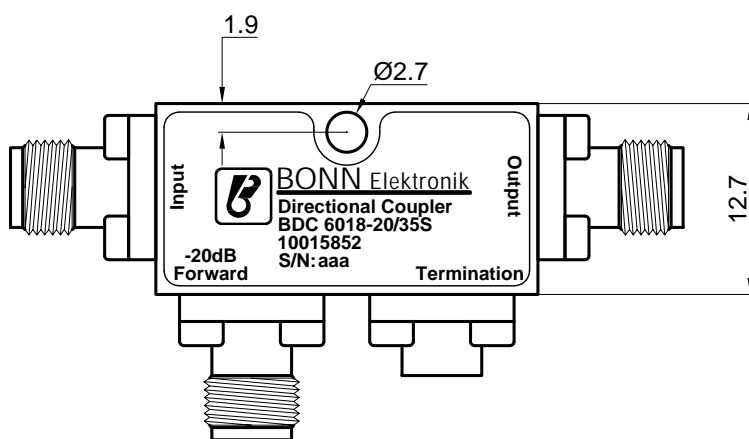
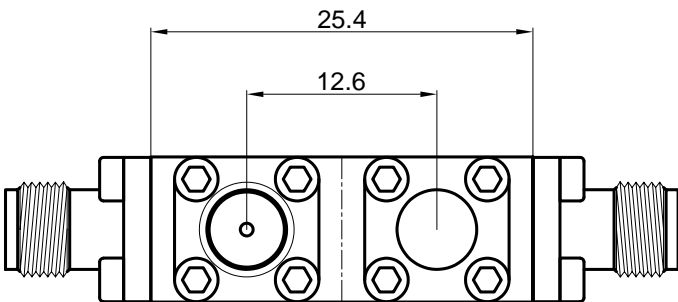
2) alternative main line connectors


X) custom frequency range and custom coupling attenuation upon request

*) WRD 650: below 6.2 GHz, VSWR and directivity deteriorate

Notice:

Under normal operating conditions all Directional Couplers do not need to be mounted to a heatsink. However, if the units permanently run into high mismatch conditions at full rated power, the circuits will heat up significantly. In this case, we would recommend the units be mounted to a suitable heatsink or metal surface, capable to maintain a baseplate temperature of +60°C max.



Product Information		Entwurf 19.10.17 Bonn
10015852		Zeichnung 19.10.17 Egger
Directional Coupler		Prüfung
BDC 6018-20/35S		Freigabe 18.10.17 Bonn
		1-1
info@bonn-elektronik.com • www.bonn-elektronik.com		